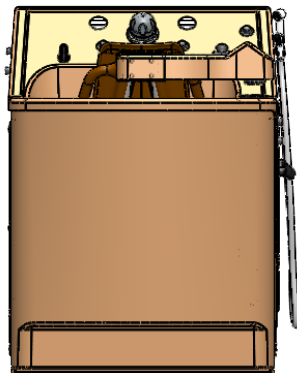
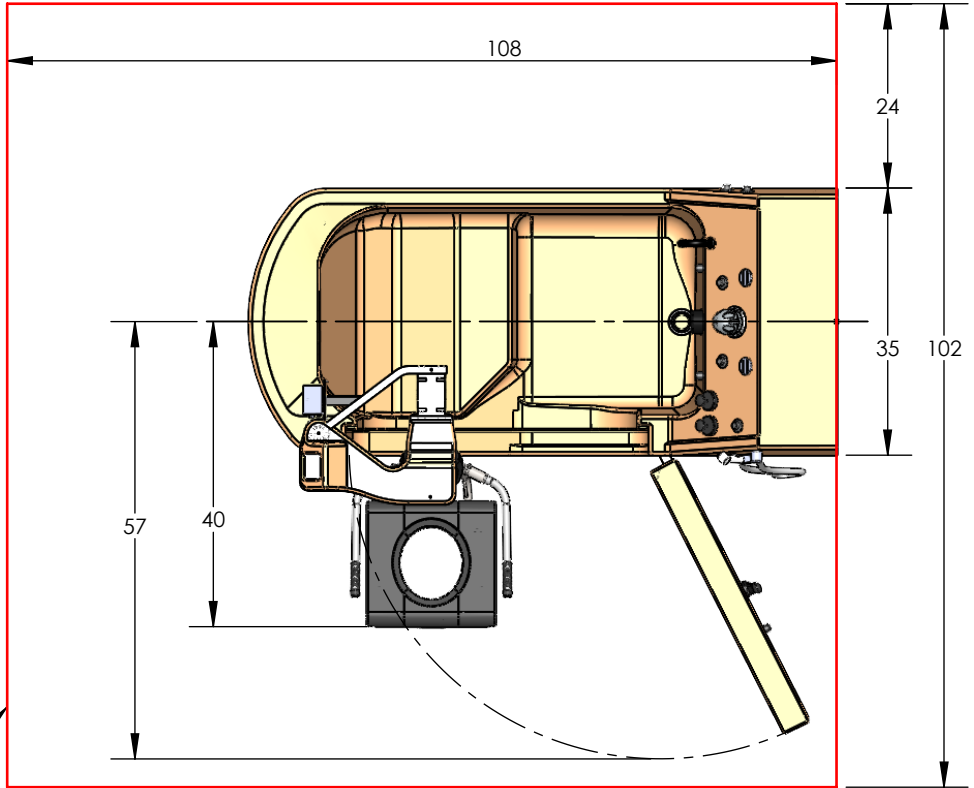
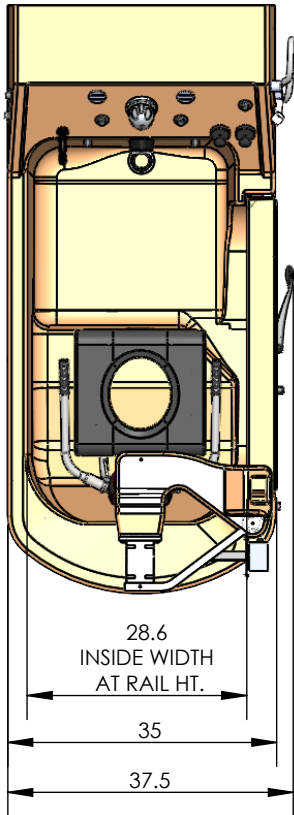
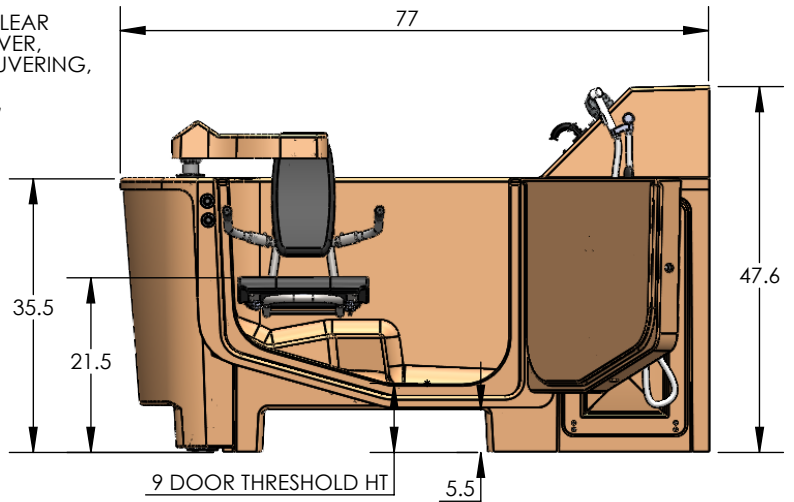


CASCADE RIGHT SIDE POST TRANSFER



RECOMMENDED CLEAR
AREA FOR CAREGIVER,
PATIENT LIFT MANEUVERING,
MAINTENANCE,
AND DOOR SWING



TO TRANSPORT THIS TUB INTO A ROOM,
THE DOOR OPENING WIDTH MUST BE
38 INCHES. HOWEVER, IT CAN BE AS SMALL
AS 35 INCHES IF THE WATER DOOR AND
SHOWER ELBOW ARE REMOVED FROM THE
TUB PRIOR TO ENTRY.

MODEL NUMBER	360010-XWT
DESCRIPTION	CASCADE RIGHT SIDE POST TRANSFER
LIFT CAPACITY	400 LBS
LIFT SCALE	OPTIONAL (SHOWN)
WATER CAPACITY	100 GALLONS
FILLED TUB WEIGHT	1370 LBS
LIFT STROKE LENGTH	12 INCHES
TUB ONLY WEIGHT	540 LBS
SHIPPING WEIGHT	670 LBS

PENNER MFG INC.
102 GRANT ST.
AURORA, NE. 68818
402-694-5003

THE "X" IN THE MODEL NUMBER REPRESENTS A COLOR CODE

10/28/2020