

Aqua-Aire

Sit-Bath System 6900
Standard / Wide / End Opening
Installation / Assembly Instructions



PENNER PATIENT CARE, INC
Box 523 / 101 Grant St.
Aurora, NE 68818

360745 Revision F – 02/04/08

1-866-PENNERS

1-866-736-6377

1-800-732-0717

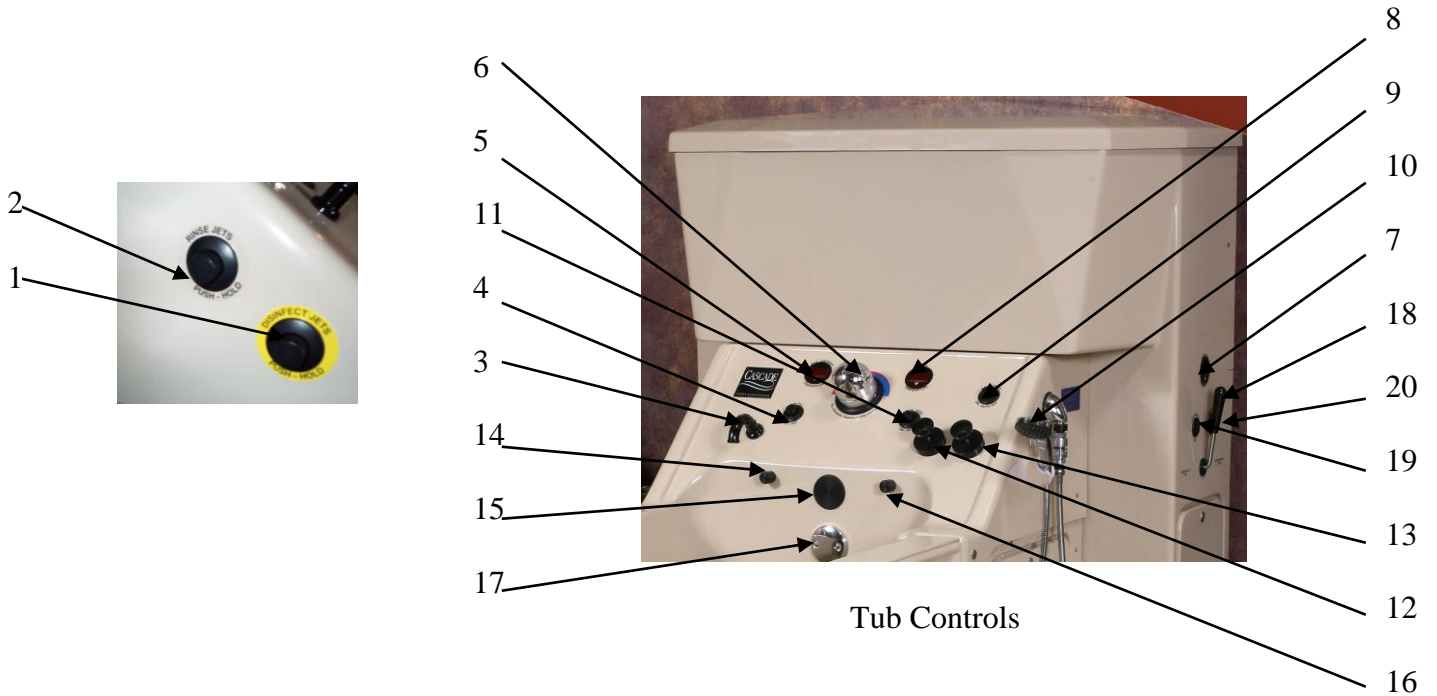
TUBS- 360010-1, 360010-1L, 360010-1W, 360010-X, 360010-XL, and 360010-XW,
361910-1, 361910-X, 362010-1, 362010-1L, 362010-X, 362010-XL,
RESERVOIRS- 370000-1W, 370000-1WL, 370000-XW, 370000-XWL

E-mail Address: pennersales@hamilton.net
Web Site: www.pennerbathingspas.com

Table of Contents

TABLE OF CONTENTS	2
TUB AND RESERVOIR CONTROLS:	3
INTRODUCTION:	1
TERMINOLOGY AND SYMBOLS MEANINGS:.....	1
CAUTION.....	1
BASIC ROOM DIMENSIONS:	1
DRAIN REQUIREMENTS:	4
PLUMBING REQUIREMENTS:	4
HOT AND COLD WATER SUPPLY REQUIREMENTS:.....	5
ELECTRICAL REQUIREMENTS:.....	5
UNPACKING THE TUB:.....	5
UNPACKING THE RESERVOIR:	6
TUB MODIFICATIONS FOR RESERVOIR:	6
ASSEMBLING THE RESERVOIR:	6
WATER SUPPLY HOSE CONNECTIONS:.....	7
ANCHORING THE TUB/RESERVOIR:	7
WATER SUPPLY AND DRAIN CONNECTIONS:	7
ELECTRICAL CONNECTIONS:	8
FINISHING UP:.....	9

Tub and Reservoir Controls:



- 1 Disinfect button
- 2 Rinse button (Aqua-Air tubs only)
- 3 Filling spout
- 4 Tub fill ON/OFF button
- 5 Fill / Shower water temperature readout
- 6 Mixing valve – Temperature control
- 7 Reservoir Temperature readout *
- 8 Tub water temperature readout
- 9 Shower ON button (The unit has a time adjustable automatic shut-off)
- 10 Hand shower sprayer
- 11 Aqua-Air ON/OFF button
- 12 Bath oil dispensing pump plunger
- 13 Shampoo dispensing pump plunger
- 14 Bath oil dispensing spout
- 15 Reservoir outlet *
- 16 Shampoo dispensing spout
- 17 Drain plug cable
- 18 Reservoir fill lever
- 19 Reservoir fill on button
- 20 Reservoir fill off button

* On Reservoir equipped units only.

Introduction:

These instructions are for the installation of a Cascade Sit-Bath System 6900 Tub, Standard or Wide, with or without a Cascade Reservoir. The Reservoir is an optional accessory, which is to be pre-filled prior to placing the resident into the tub. Then the water in the reservoir can be released into the tub. This shortens the time required before the tub is full and the whirlpool can be started.

Terminology and Symbols Meanings:

When the terms “left” or “right” are used with reference to the tub, this means left or right as you look at the control panel from the seat end of the tub.



Meaning: Safety warning. Failure to understand and obey this warning may result in injury to you or to others.

CAUTION

Meaning: Failure to follow these instructions may cause damage to parts or systems.

Note: Refer to the “Tub Controls” section of this manual for the location of any of the controls referenced.

Basic Room Dimensions:

Figure 1 shows a room layout for a Standard Cascade tub without a reservoir. Figure 2 shows a Room layout for Standard Cascade with a Wide Reservoir. Figure 3 shows a Room layout for Wide Cascade with a Wide Reservoir. Figure 4 shows Room layout for Cascade with Reservoir side view. Figure 5 shows Room layout for End Opening Cascade with Reservoir side view. Figure 6 shows Room Layout Top View for End Opening Cascade.

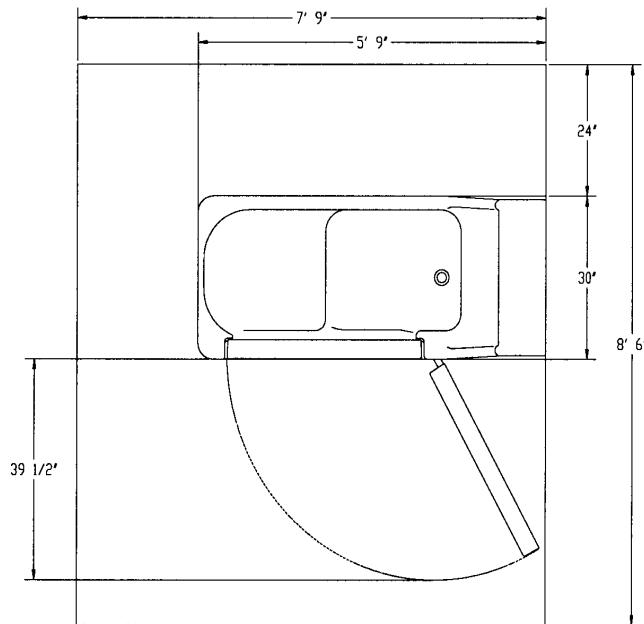


Figure 1
Room layout for Standard Cascade without Reservoir

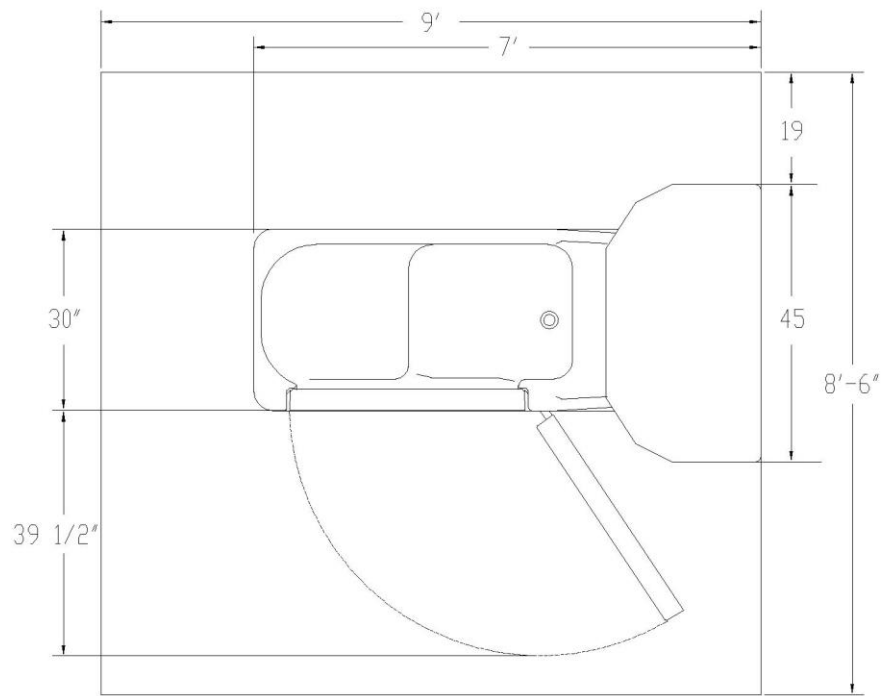


Figure 2
Room layout for Standard Cascade with a Wide Reservoir

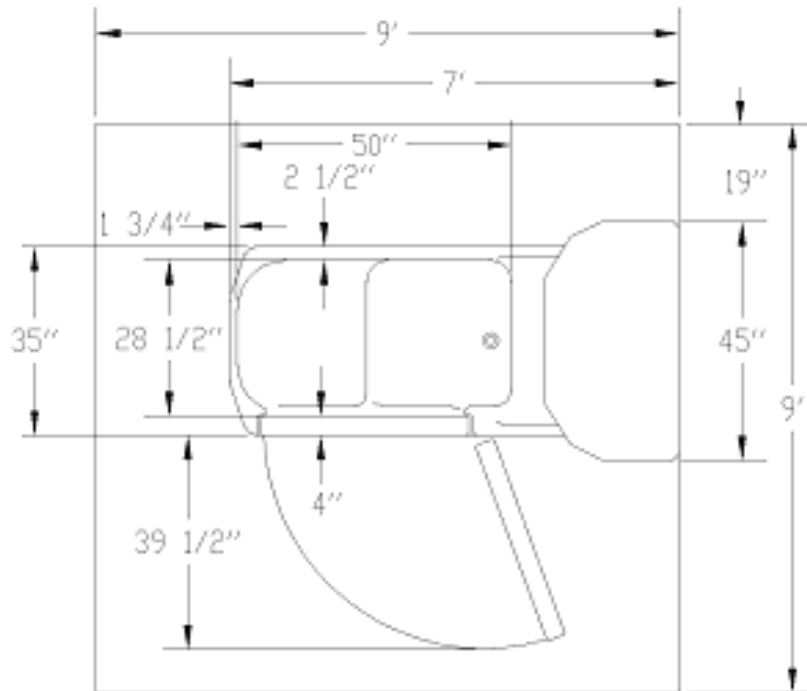


Figure 3
Room layout for Wide Cascade with a Wide Reservoir

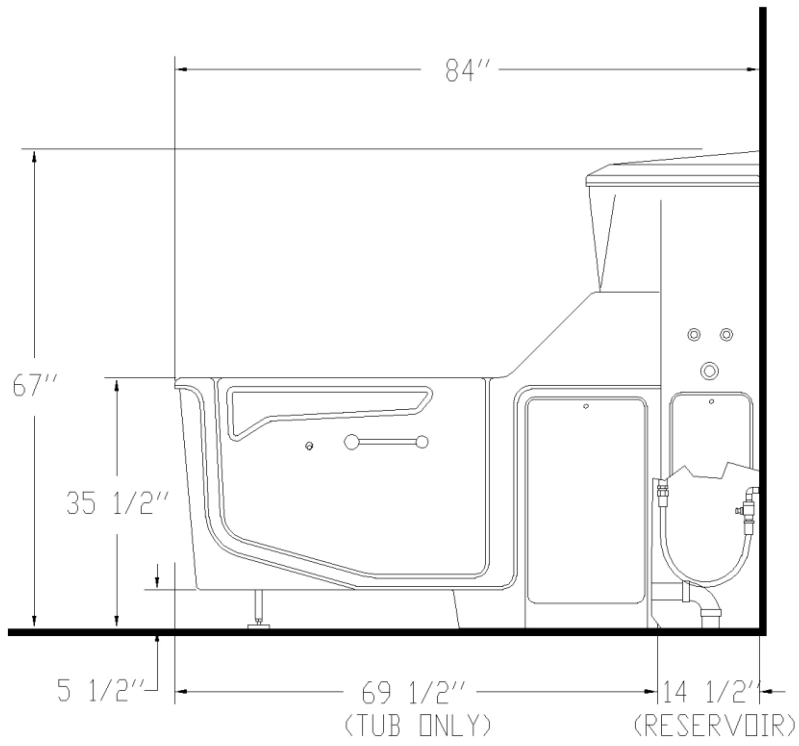


Figure 4
Room layout Side View for Cascade with Wide Reservoir

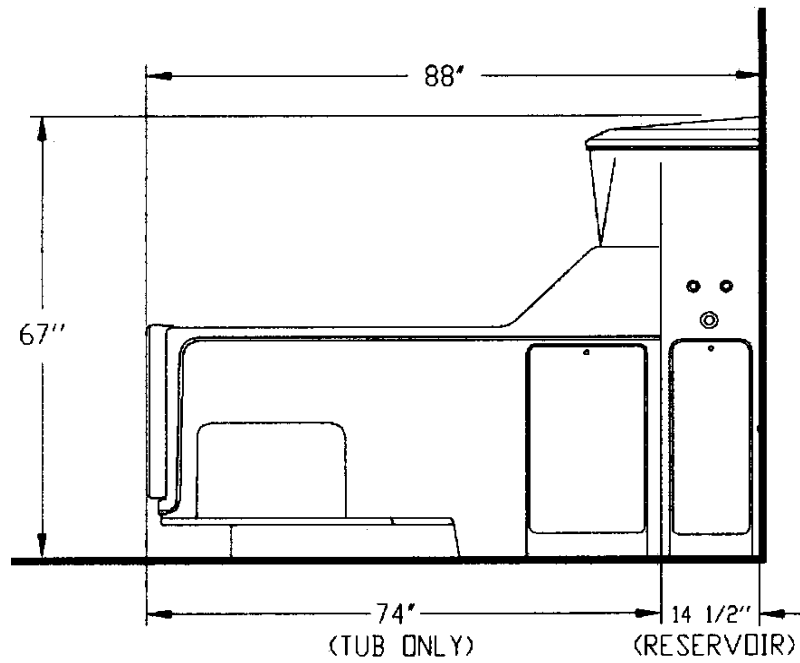


Figure 5
Room Layout Side View for End Opening Cascade

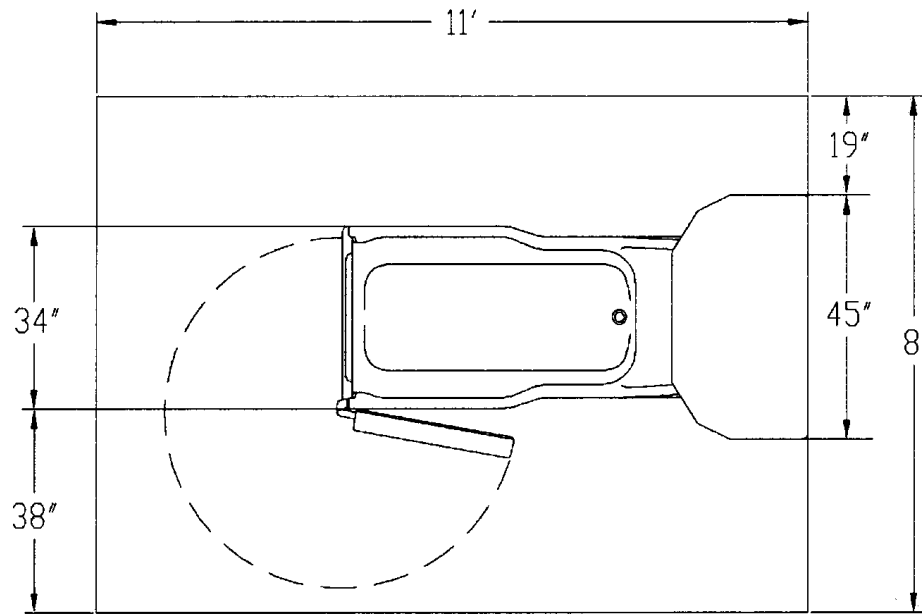


Figure 6
Room Layout Top View for End Opening Cascade

Drain requirements:

The tub is equipped with a 2" nominal (2 3/8" O.D.) PVC drain pipe. As shown in Figure 7, the tub's drain pipe is approximately 11" from the wall and 5 1/4" above the floor. Figure 7 shows two different options for roughing in the drain pipe – from the floor or from the wall.

Plumbing Requirements:

It is required that a licensed plumber make all plumbing connections. He can select the best method of connection and if Reduced Pressure Zone Backflow Preventers are required.

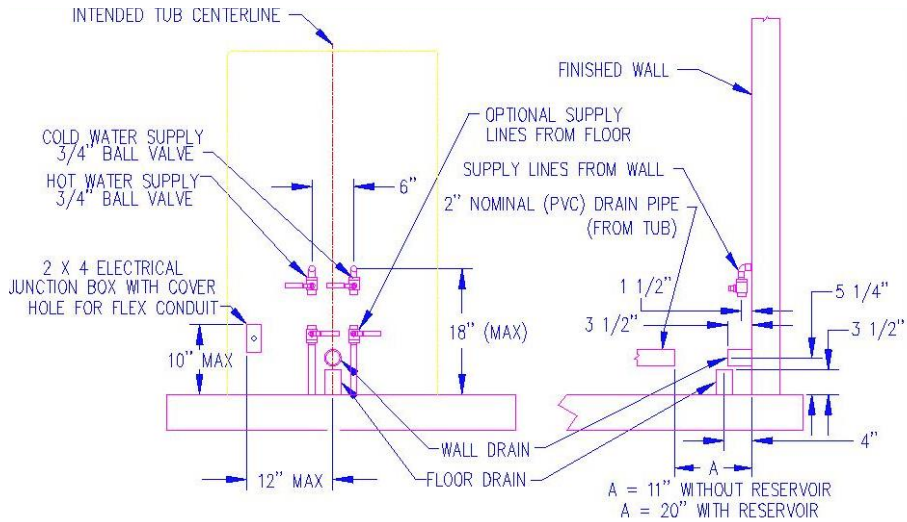


Figure 7
Suggested Rough-ins

Hot and cold water supply requirements:

3/4" supply lines with on/off valves with 3/4" NPT female threads. We recommend 3/4" ball valve with 3/4" NPT female ports. (Valves supplied by others.) See figure 8 for recommended locations.

For optimum performance, dynamic pressures should be nominally equal between hot and cold supplies.

Maximum static supply pressure: 145 PSI.

Maximum dynamic/maintained supply pressure: 81 PSI.

Maximum supply Hot water temperature: Consult local requirements for maximum allowed supply temperatures. (Not recommended over 120°F)

Electrical requirements:

The Cascade tub Aqua-Air (with reservoir) is rated 7.25 amps at 120 Volts AC.

A 15 amp GFCI circuit is required.

(The optional Cascade reservoir, is rated at .75 amp and is connected to the tub's electrical box via hard wiring.)

Unpacking the tub:

1. Remove the tub from the shipping crate.
2. Locate and save the installation parts.
3. Remove all access doors and place them where they will not be damaged during the installation process.
4. If a Cascade Reservoir is to be installed with the tub, continue with "Unpacking the Reservoir". If not, skip to "Water Supply Hose Connections".

Unpacking the Reservoir:

1. Remove the Reservoir from the shipping crate.
2. Locate and save the installation parts.
3. Remove all access doors and place them where they will not be damaged during the installation process.

Tub Modifications for Reservoir:

Cascade tubs are manufactured and packed for installation without a reservoir. To install it with a reservoir, a couple of modifications are required.

1. Remove the black hole plug located just above the overflow escutcheon by removing the plastic nut. This plug and nut can be discarded
2. Replace the plug with the reservoir outlet fitting, Gasket, and outlet adapter. (These are packed with the reservoir) See figure 8 for assembly order. Ensure that the opening of the outlet fitting is pointed directly down after final tightening.
3. Unscrew and remove the cap from the water line port that points out the back of the tub. This will be the connecting point for the reservoir supply hose.

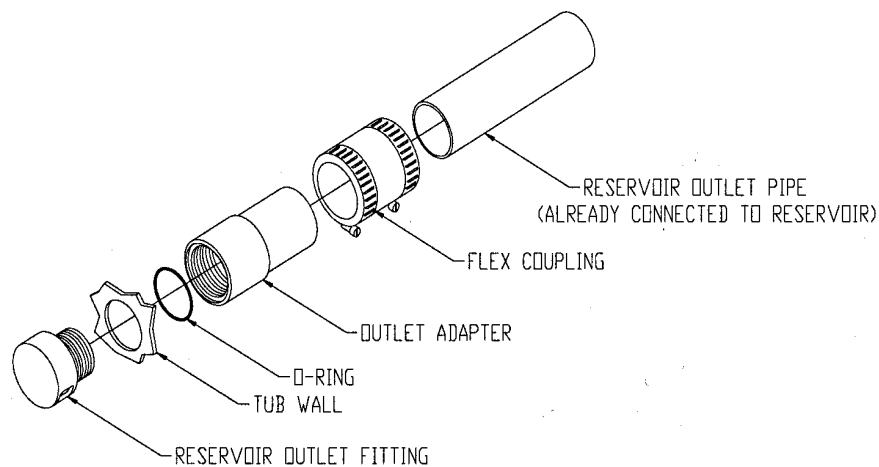


Figure 8
Reservoir Outlet Assembly

Assembling the Reservoir:

1. Locate the Reservoir at the back end of the Cascade tub and use the provided hardware ($3/8 \times 3 \ 3/4$ " bolts, flat washers, and hex nuts) to affix the reservoir to the frame of the tub's frame through the holes provided. Ensure that the reservoir is centered with the tub. Snug up the hex nuts, but do not over-tighten the nuts.
2. Connect the reservoir outlet pipe to the outlet adapter with the provided flex coupling and tighten. Reference Figure 8.
3. Connect the reservoir supply hose, from the reservoir plumbing assembly, to the water line port at the back of the tub.
4. Connect the overflow tee to the drain of the tub.

Water Supply Hose Connections:

1. Locate one of the provided connecting hoses (packed with the tub) and connect the male thread end to the hot water supply ball valve.
2. Connect the male threaded end of the other provided connecting hose to the cold water supply ball valve.

Anchoring the Tub/Reservoir:

Note:

These instructions for anchoring the tub are written with the assumption that the installation is being done on a concrete floor. If this is not the case, the tub can be anchored with simple lag screws (not provided). There are two anchoring holes for anchoring the tub.

1. Place the tub/reservoir in the final installation position. The reservoir should be against the wall.
2. Locate and mark (on the floor) the location of the tub anchoring points. (two 3/8" diameter holes in the return flange located inside the large access doors on the tub) If installing a tub with reservoir, there are also two anchoring points for the reservoir. These are located in the return flanges just inside the access doors of the reservoir.
3. Remove the tub and drill a 5/16" diameter x 1 1/2 inches deep hole in the floor at the marked locations. A masonry drill will be required.
4. Clean the drilled holes and clean the drilling dust from the area.
5. Place the tub/reservoir back into position, over the anchoring holes.
6. Insert the provided anchors through the flange and into the anchor holes just drilled.
7. Tighten the nuts until the anchor locks the tub in position.

Water Supply and Drain Connections:

It is required that a licensed plumber make all plumbing connections. He can select the best method of connection and if Reduced Pressure Zone Backflow Preventers are required.

1. Connect the ends of the connecting hoses (hot and cold water supply) to the respective ports on the tub. Ensure that there are sealing gaskets within the swivel fittings on the hoses.
2. Connect the drain (waste) of the tub to the facility's drain system.
3. The system needs to be checked for any leaks in the entire system. However, the electrical connections must be made prior to doing this. Once the electrical connections have been made, continue with step 4.
4. Open the facility's supply valves to the tub and check for leaks. If no leaks are found, check the entire plumbing system for any leaks. Look for leaks while each of the following systems are running: "Tub fill", "Shower", and "Disinfecting".

Electrical Connections:



Warning:

This unit is to be connected only by a licensed electrician. A minimum of 15 amp 120 volt service is required with ground fault circuit interrupter.

1. Remove the covers from the electrical box of the tub (and reservoir).
2. For tubs with reservoirs, connect the reservoir electrical supply lead to the tub's electrical kit.
 - a. Remove the hole-plug from the left side of the tub electrical box.
 - b. Run the cable lead through that hole and secure using the cord restraint and nut provided.
 - c. Connect the line wire to the line distribution bar located in the upper right corner of the tub's electrical box. It will have only black wires connected to it. See figure 9.
 - d. Then connect the neutral and ground wires, neutral, and ground terminals respectively. These are labeled accordingly.
 - e. Replace the cover of the reservoir's electrical box.
3. Run flexible conduit and the proper size wires, from the facility's junction box to the connecting point of the tub's electrical enclosure. (Located inside the large access door opening on the "left" side of the tub.)
4. Connect the ground to the "protective earth" (ground) bar.
5. Connect the neutral wire to neutral bar marked "N".
6. Use the provided female disconnect wire terminal to connect the "line" wire to the circuit breaker tab marked "L". The provided female disconnect wire terminal is shipped already connected to the circuit breaker.
7. Replace the electrical enclosure cover. With the tubs circuit breaker switch in the "OFF" position, turn "ON" the circuit to the tub.
8. Switch the tub's circuit breaker to the "ON" position. The temperature gauges should now display a temperature reading.

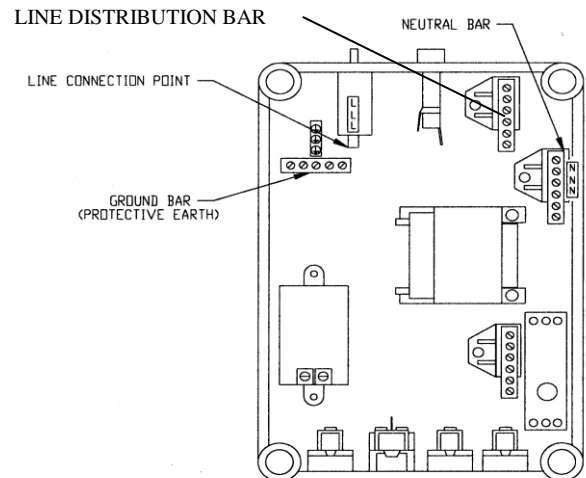


Fig. 9
Tub Electrical Box

CAUTION

When the tub circuit breaker is turned on, if there is a sound like a running motor, **immediately** switch “OFF” the circuit breaker. Find the “Aqua-Aire” button on the control panel of the tub and press it once. Switch on the tub circuit breaker. The motor should not be running now.

Finishing up:

1. Once the tub/reservoir has been connected to the drain, checked for leaks (and fixed if needed), and is connected to power, the access doors can be installed.



Warning

Do not attempt to operate this equipment before selected personnel are trained in its operation per the operation manual. The use of this equipment before inspection, adjustment, and training per the operation manual could result in damage to the equipment or injury to the operator and/or resident.

For your nearest distributor, contact:

***PENNER PATIENT CARE, INC.
Box 523 / 101 Grant St.
Aurora, NE 68818***

1-866-PENNERS

1-866-736-6377

1-800-732-0717

***E-mail Address: pennersales@hamilton.net
Web Site: www.pennerpatientcare.com***