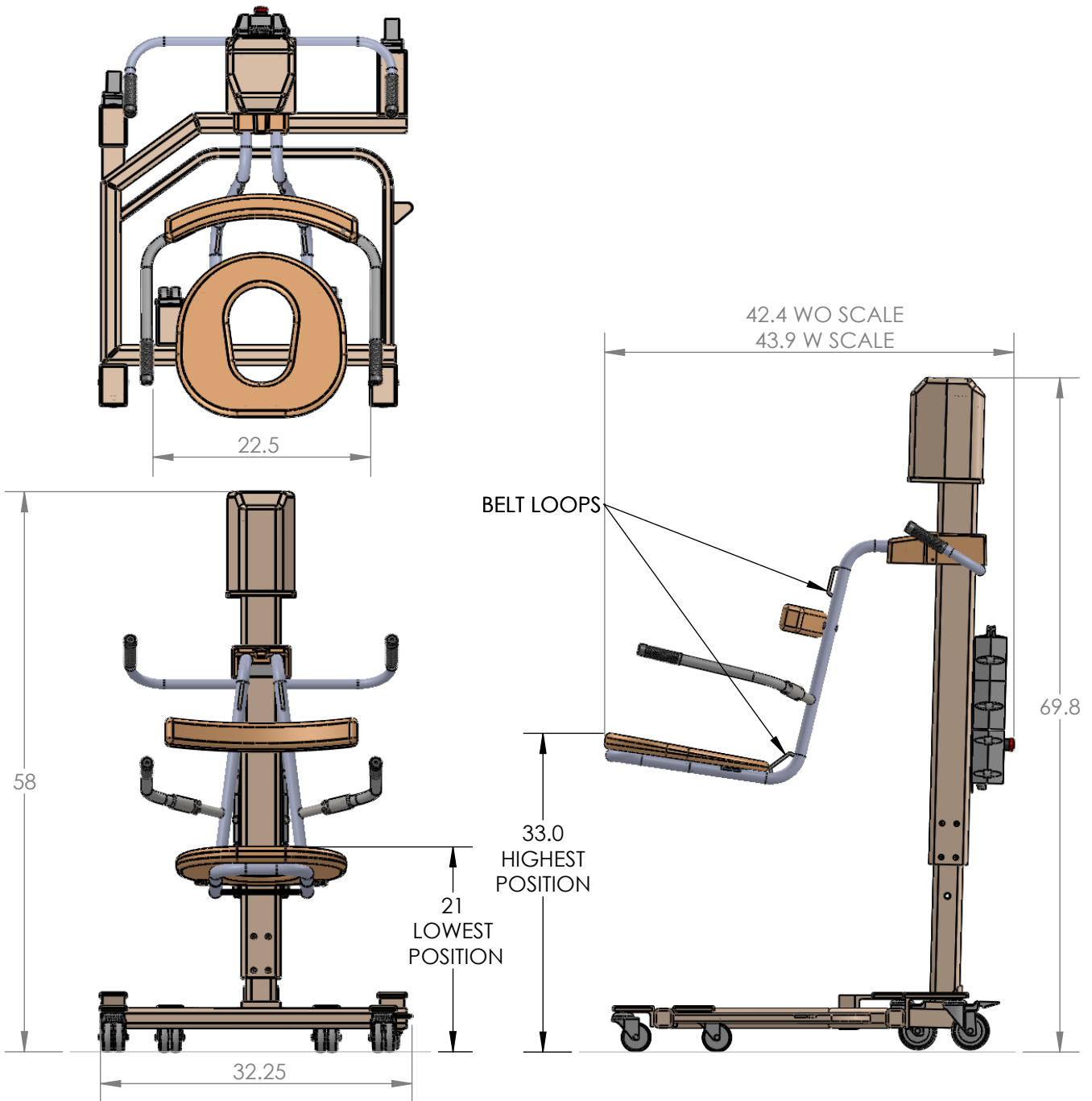


TRANSFER CASCADE - BARIATRIC



MODEL NUMBER	382500-1	382500-1L	383500-1	383500-1L
DESCRIPTION	TRANSFER ELECTRIC BARIATRIC	TRANSFER ELECTRIC CASCADE L/H	TRANSFER ELECTRIC W/SCALE	TRANSFER ELEC W/SCALE L/H
IMAGE	AS SHOWN	MIRROR IMAGE OF SHOWN	AS SHOWN	MIRROR IMAGE OF SHOWN
SCALE	NO	NO	YES	YES
WEIGHT	150 LBS	150 LBS	200 LBS	200 LBS
SHIPPING WEIGHT	225 LBS	225 LBS	275 LBS	275 LBS

PENNER MFG INC.
102 GRANT ST.
AURORA, NE. 68818
402-694-5003

LOAD RATING: 600 LBS
LIFT OPERATING VOLTAGE: 24 VDC (2 BATTERY PACKS INCLUDED)
WALL CHARGER INCLUDED
FRONT CASTERS: 4 EA DOUBLE 3" SWIVEL
REAR CASTERS: 2 EA SINGLE 4" WITH FULL SWIVEL LOCKING BRAKE