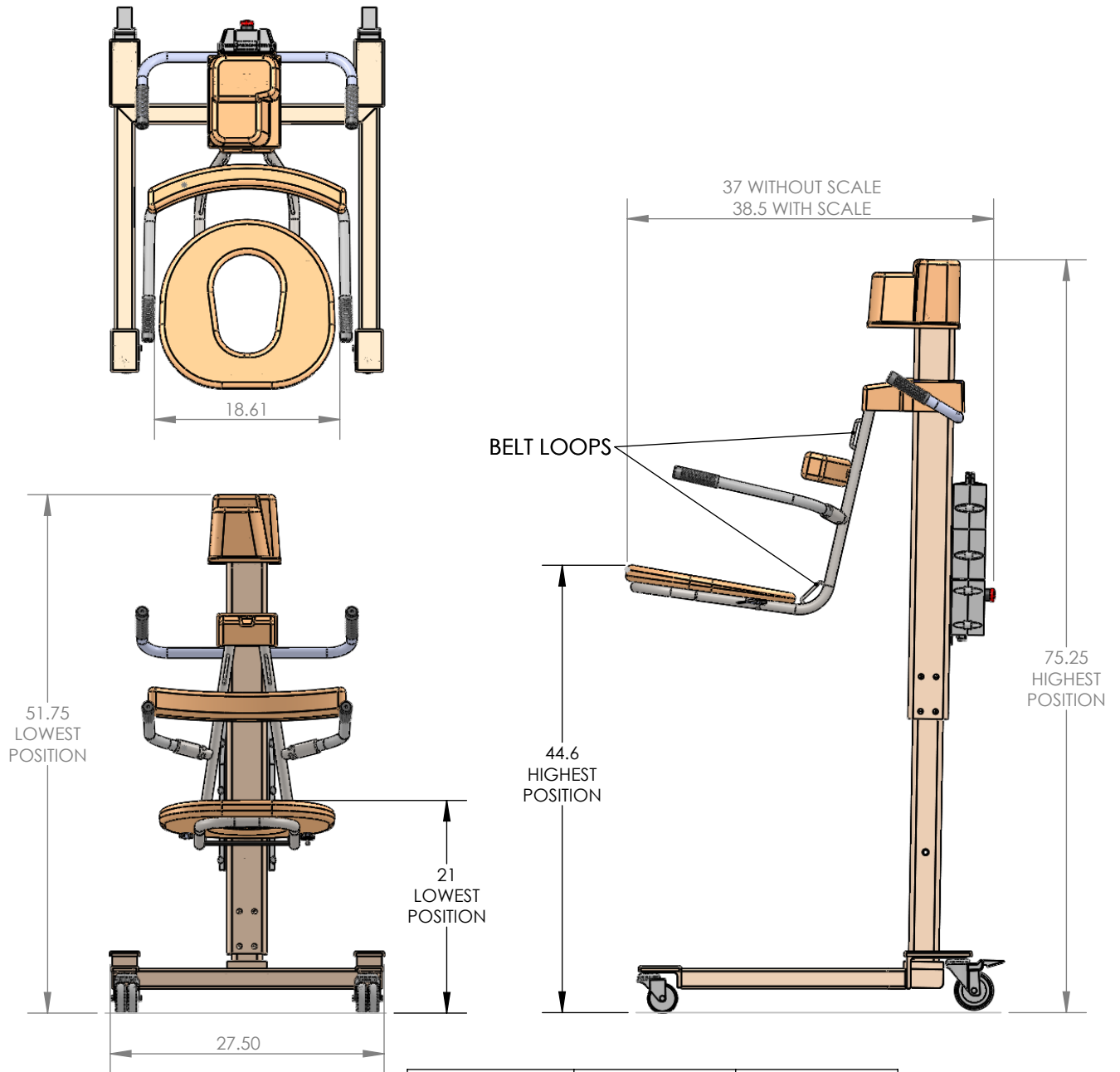


SUPERIOR TRANSFER - END ENTRY

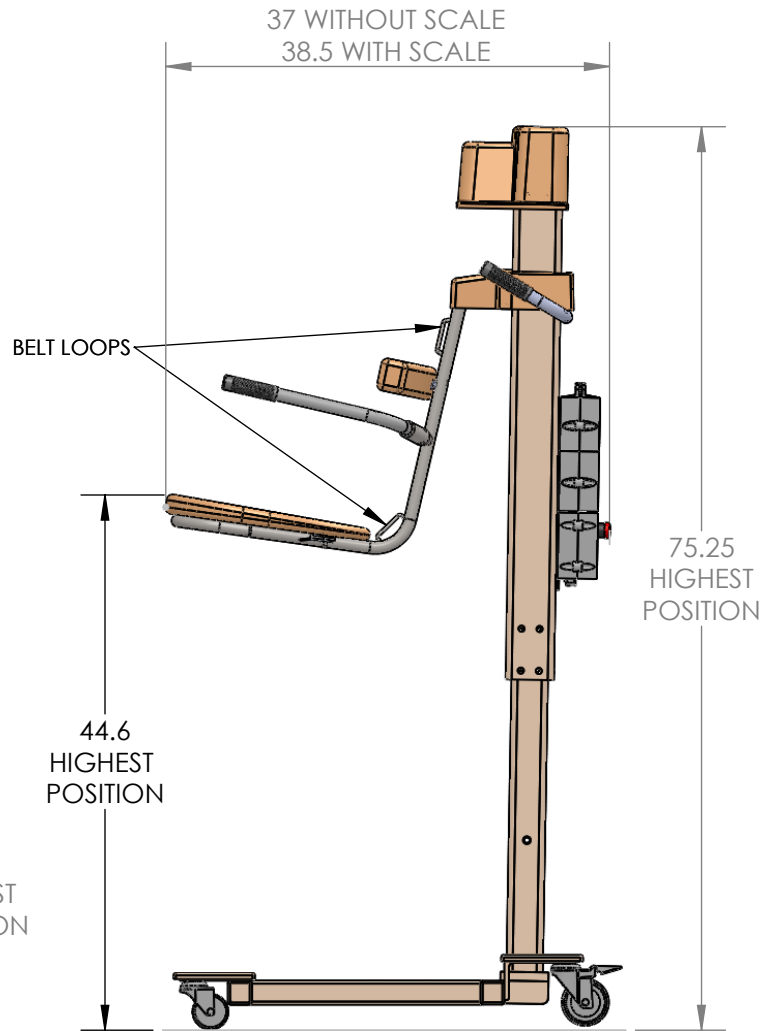
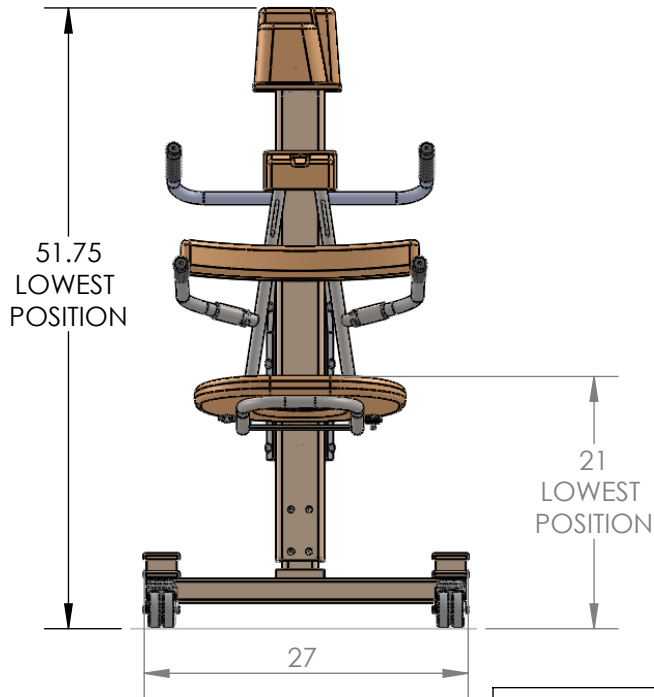
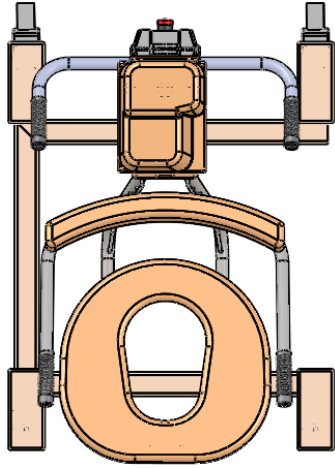


PENNER MFG INC.
102 GRANT ST.
AURORA, NE. 68818
402-694-5003

MODEL NUMBER	386000-1	389000-1
DESCRIPTION	SUPERIOR TRANSFER END	SUPERIOR TRANSFER END W/SCALE
IMAGE	AS SHOWN	AS SHOWN
WEIGHT	150 LBS	165 LBS
SCALE	NO	YES
SHIPPING WEIGHT	250 LBS	265 LBS

LOAD RATING: 400 LBS
LIFT OPERATING VOLTAGE: 24 VDC (2 BATTERY PACKS INCLUDED)
WALL CHARGER INCLUDED
FRONT CASTERS: DOUBLE 3" SWIVEL
REAR CASTERS: SINGLE 4" WITH FULL SWIVEL LOCKING BRAKE

SUPERIOR TRANSFER - SIDE ENTRY



PENNER MFG INC.
102 GRANT ST.
AURORA, NE. 68818
402-694-5003

MODEL NUMBER	384000-1	385000-1	387000-1	388000-1
DESCRIPTION	SUPERIOR TRANSFER R/H	SUPERIOR TRANSFER L/H	SUPERIOR TRANSFER R/H W/SCALE	SUPERIOR TRANSFER L/H W/SCALE
IMAGE	AS SHOWN	MIRROR IMAGE OF SHOWN	AS SHOWN	MIRROR IMAGE OF SHOWN
WEIGHT	150 LBS	150 LBS	165 LBS	165 LBS
SCALE	NO	NO	YES	YES
SHIPPING WEIGHT	250 LBS	250 LBS	265 LBS	265 LBS

LOAD RATING: 400 LBS
LIFT OPERATING VOLTAGE: 24 VDC (2 BATTERY PACKS INCLUDED)
WALL CHARGER INCLUDED
FRONT CASTERS: DOUBLE 3" SWIVEL
REAR CASTERS: SINGLE 4" WITH FULL SWIVEL LOCKING BRAKE