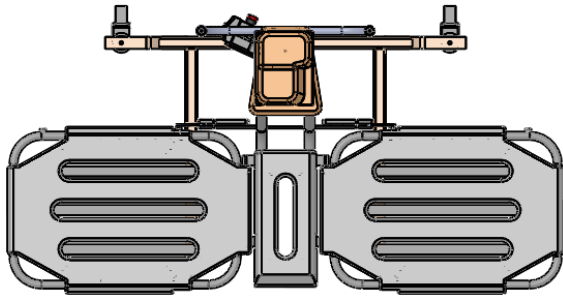
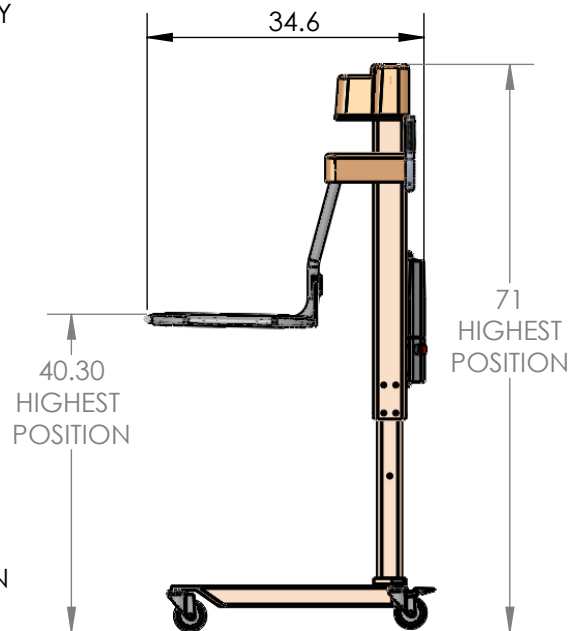
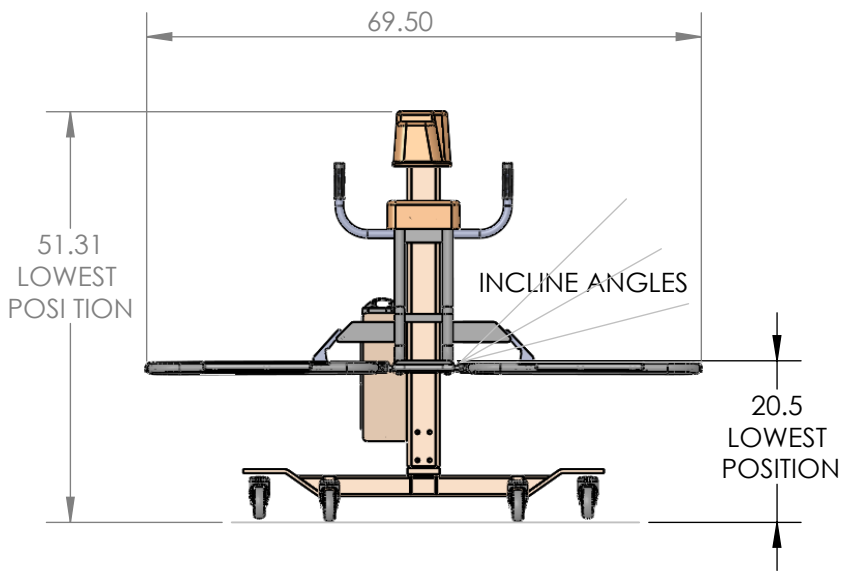


TRANSFER - PACIFIC STRETCHER



THE WINGS ON BOTH ENDS WILL INCLINE TO APPROXIMATELY 15, 30, OR 45° FROM LEVEL (AS SHOWN BELOW)



MODEL NUMBER	391000-1	2-391000-1	392000-1	2-392000-1
DESCRIPTION	TRANSFER BLUE STRETCHER W/O SCALE	TRANSFER TAN STRETCHER W/O SCALE	TRANSFER BLUE STRETCHER WITH SCALE	TRANSFER TAN STRETCHER W/SCALE
SCALE	NO	NO	YES	YES
WEIGHT	150 LBS	150 LBS	165 LBS	165 LBS
SHIPPING WEIGHT	250 LBS	250 LBS	265 LBS	265 LBS

PENNER MFG INC.
102 GRANT ST.
AURORA, NE. 68818
402-694-5003

LOAD RATING: 400 LBS
LIFT OPERATING VOLTAGE: 24 VDC (2 BATTERY PACKS INCLUDED)
WALL CHARGER INCLUDED
FRONT CASTERS: SINGLE 4" SWIVEL
REAR CASTERS: SINGLE 4" WITH FULL SWIVEL LOCKING BRAKE AND DIRECTIONAL LOCK