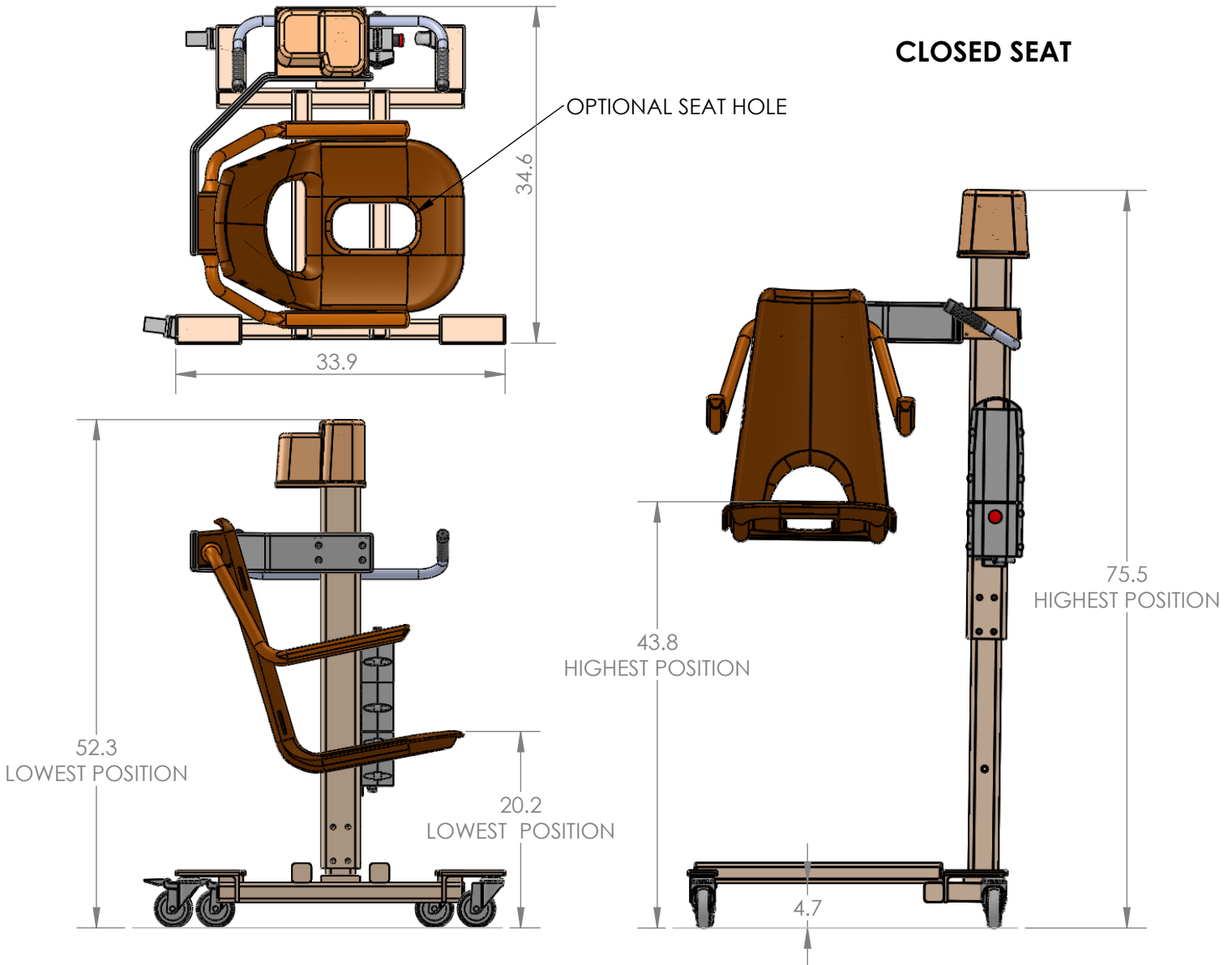


TRANSFER - PACIFIC CHAIR



OPTIONS:

SCALE OR NO SCALE - REFERENCE TABLE AT THE RIGHT.

SEAT OPTIONS: CLOSED SEAT (SHOWN ABOVE) OR OPEN SEAT (SHOWN ON PAGE 2).

CLOSED SEAT "SEAT HOLE" OR "NO HOLE".

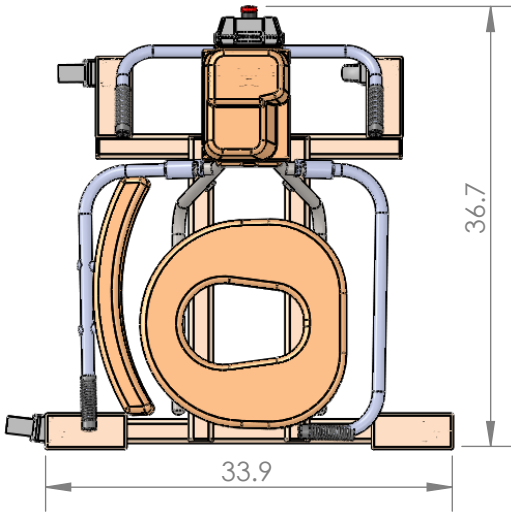
WITH THE CLOSED SEAT, YOU HAVE TO SELECT RIGHT OR LEFT MODEL OF THE LIFT. (RIGHT HAND SHOWN) HOWEVER, WITH THE OPEN SEAT, YOU CAN CONVERT THE LIFT TO EITHER SIDE BY SWAPPING THE BACKREST AND FRONT ARM AND THEN REVERSING THE SEAT PAD.

MODEL NUMBER	393000-1	394000-1
DESCRIPTION	TRANSFER PACIFIC CHAIR	PACIFIC TRANSFER CHAIR W/SCALE
SCALE	NO	YES
WEIGHT	150 LBS	165 LBS
SHIPPING WEIGHT	250 LBS	265 LBS

PENNER MFG INC.
102 GRANT ST.
AURORA, NE. 68818
402-694-5003

LOAD RATING: 400 LBS
LIFT OPERATING VOLTAGE: 24 VDC (2 BATTERY PACKS INCLUDED)
WALL CHARGER INCLUDED
FRONT CASTERS: DOUBLE 4" SWIVEL
REAR CASTERS: SINGLE 4" WITH FULL SWIVEL LOCKING BRAKE

TRANSFER - PACIFIC CHAIR



OPEN SEAT

