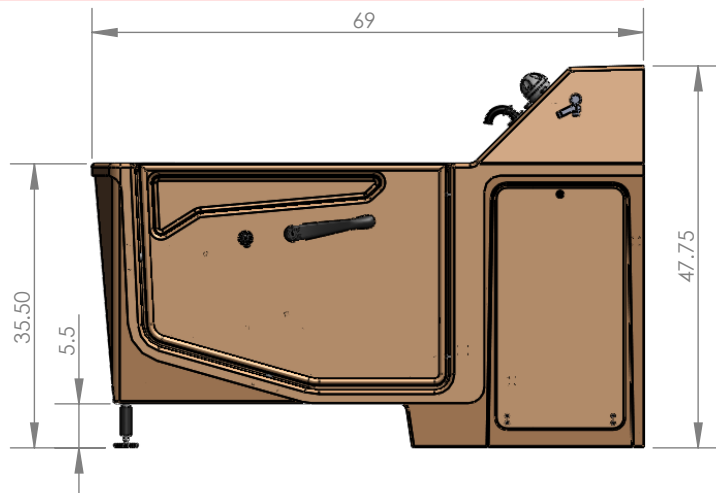
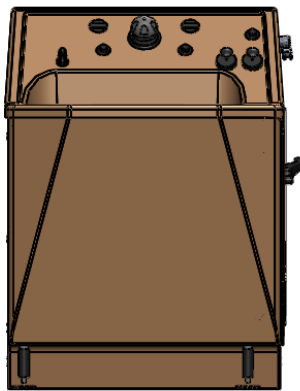
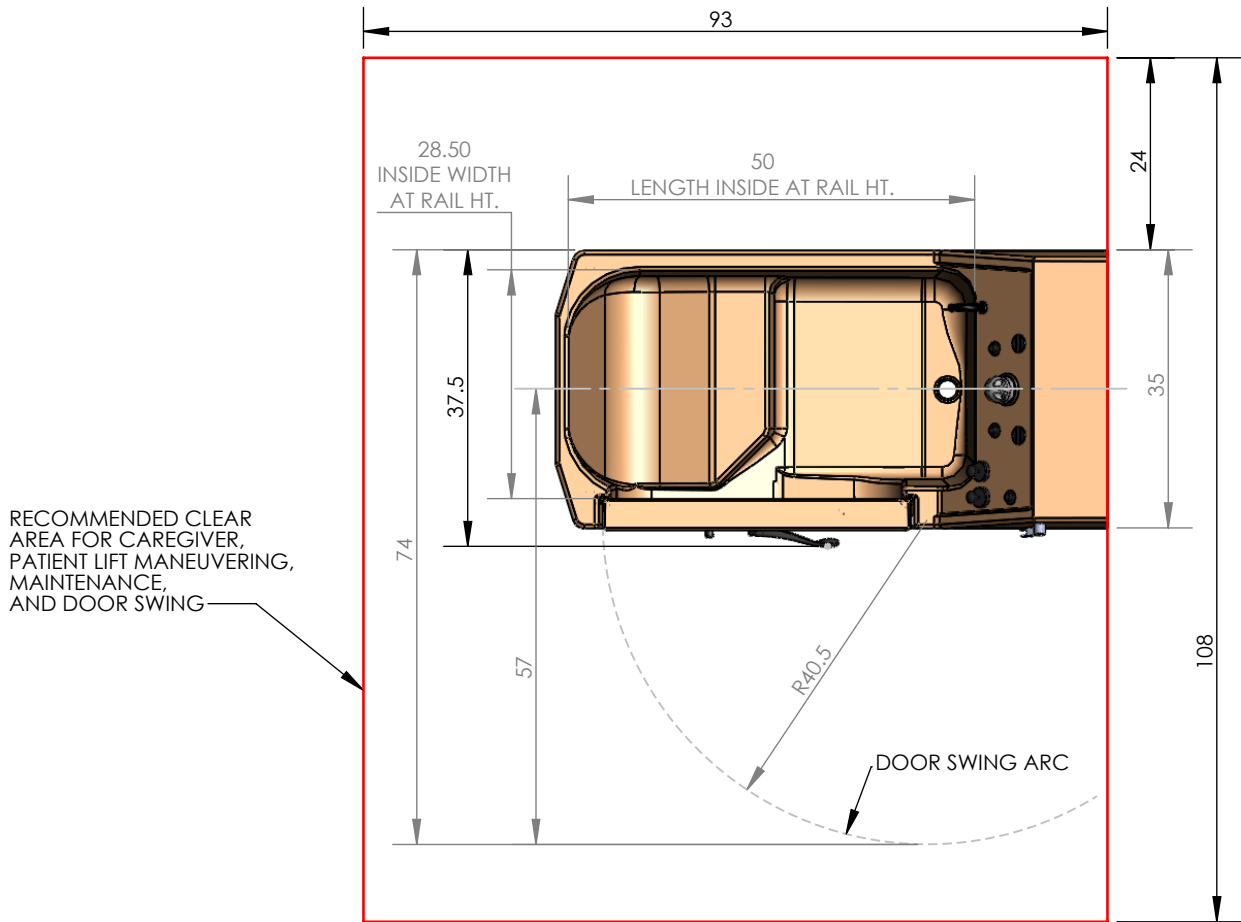


CASCADE WIDE SIDE ENTRY SPA



TO TRANSPORT THIS TUB INTO A ROOM, THE DOOR OPENING WIDTH MUST BE 38 INCHES. HOWEVER, IT CAN BE AS SMALL AS 35 INCHES IF THE WATER DOOR AND SHOWER ELBOW ARE REMOVED FROM THE TUB PRIOR TO ENTRY.

| | |
|------------------------|------------------------------------|
| MODEL NUMBER | 360010-XW |
| DESCRIPTION | CASCADE WIDE RIGHT SIDE ENTRY SPA* |
| WATER CAPACITY | 100 GALLONS |
| SEAT HEIGHT FROM FLOOR | 14 INCHES |
| FILLED TUB WEIGHT | 1203 LBS |
| TUB ONLY WEIGHT | 380 LBS |
| SHIPPING WEIGHT | 530LBS |

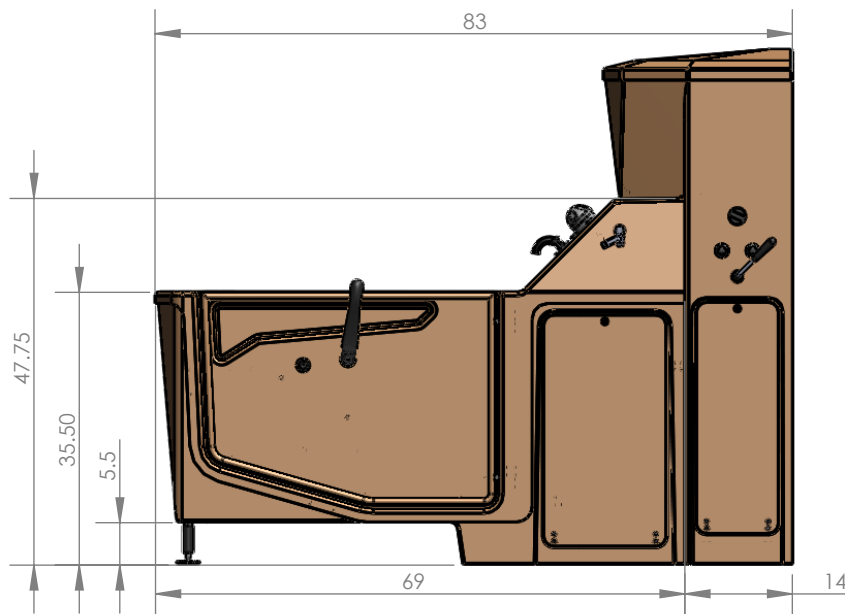
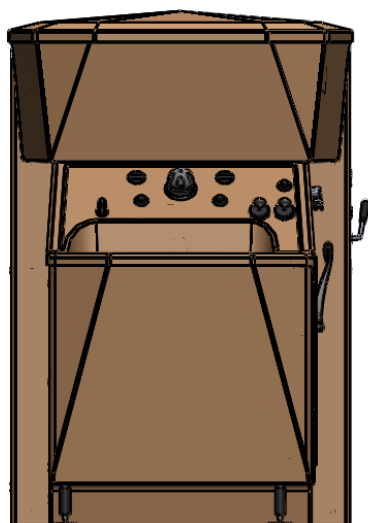
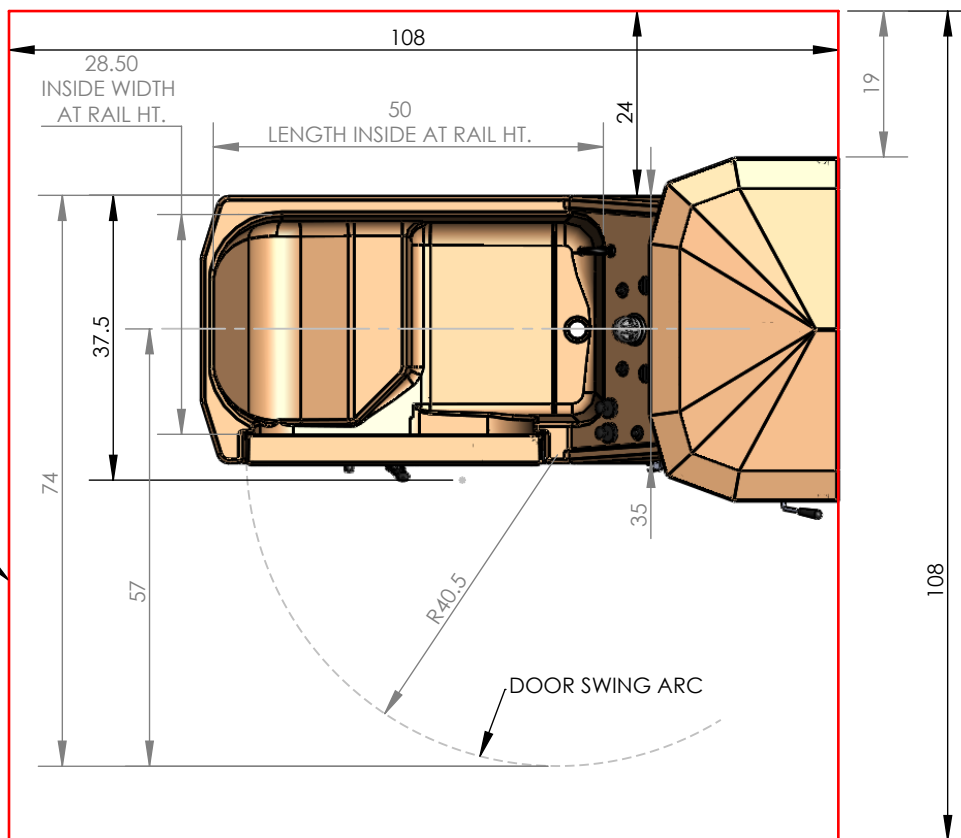
PENNER MFG INC.
102 GRANT ST.
AURORA, NE. 68818
402-694-5003

THE "X" IN THE MODEL NUMBER REPRESENTS A COLOR CODE

* LEFT SIDE ENTRY WIDE TUB IS NOT AVAILABLE

CASCADE WIDE SIDE ENTRY SPA WITH RESERVOIR

RECOMMENDED CLEAR AREA FOR CAREGIVER, PATIENT LIFT MANEUVERING, MAINTENANCE, AND DOOR SWING



TO TRANSPORT THIS TUB INTO A ROOM, THE DOOR OPENING WIDTH MUST BE 38 INCHES. HOWEVER, IT CAN BE AS SMALL AS 35 INCHES IF THE WATER DOOR AND SHOWER ELBOW ARE REMOVED FROM THE TUB PRIOR TO ENTRY.

PENNER MFG INC.
102 GRANT ST.
AURORA, NE. 68818
402-694-5003

| MODEL NUMBER | 360010-XW | 370010-XW |
|------------------------|------------------------------------|-----------------------|
| DESCRIPTION | CASCADE WIDE RIGHT SIDE ENTRY SPA* | RESERVOIR - WIDE (RH) |
| WATER CAPACITY | 100 GALLONS | 55 GALLONS |
| SEAT HEIGHT FROM FLOOR | 14 INCHES | NA |
| FILLED WEIGHT | 1203 LBS | 608 LBS |
| UNIT ONLY WEIGHT | 380 LBS | 150 LBS |
| SHIPPING WEIGHT | 530LBS | 265 LBS |

THE "X" IN THE MODEL NUMBER REPRESENTS A COLOR CODE

* LEFT SIDE ENTRY WIDE TUB IS NOT AVAILABLE

PENNER MFG INC. STANDARD CASCADE SPA ROUGH IN SPECIFICATIONS

- WATER SUPPLY:** 3/4" HW & CW SUPPLY LINES PREFERRED
WITH BALL VALVES W/MALE NPT THREADS (NOT SUPPLIED)
(36" FLEXIBLE STAINLESS STEEL BRAIDED CONNECTING LINES SUPPLIED)
- DRAIN:** DRAIN PIPE FROM FLOOR OR OPTIONAL WALL LOCATION - 2" PVC
(P-TRAP NOT SUPPLIED)
- TUB ELECTRICAL:** TUB ELECTRICAL RATING: 120 VOLTS 7.25 AMPS
RECOMMENDED ELECTRICAL SUPPLY: 15 AMP WITH GFCI PROTECTION
(NUISANCE TRIPPING MAY OCCUR IF THE WIRING IS TOO LIGHT FOR THE
DISTANCE BETWEEN THE BREAKER AND THE TUB.)

