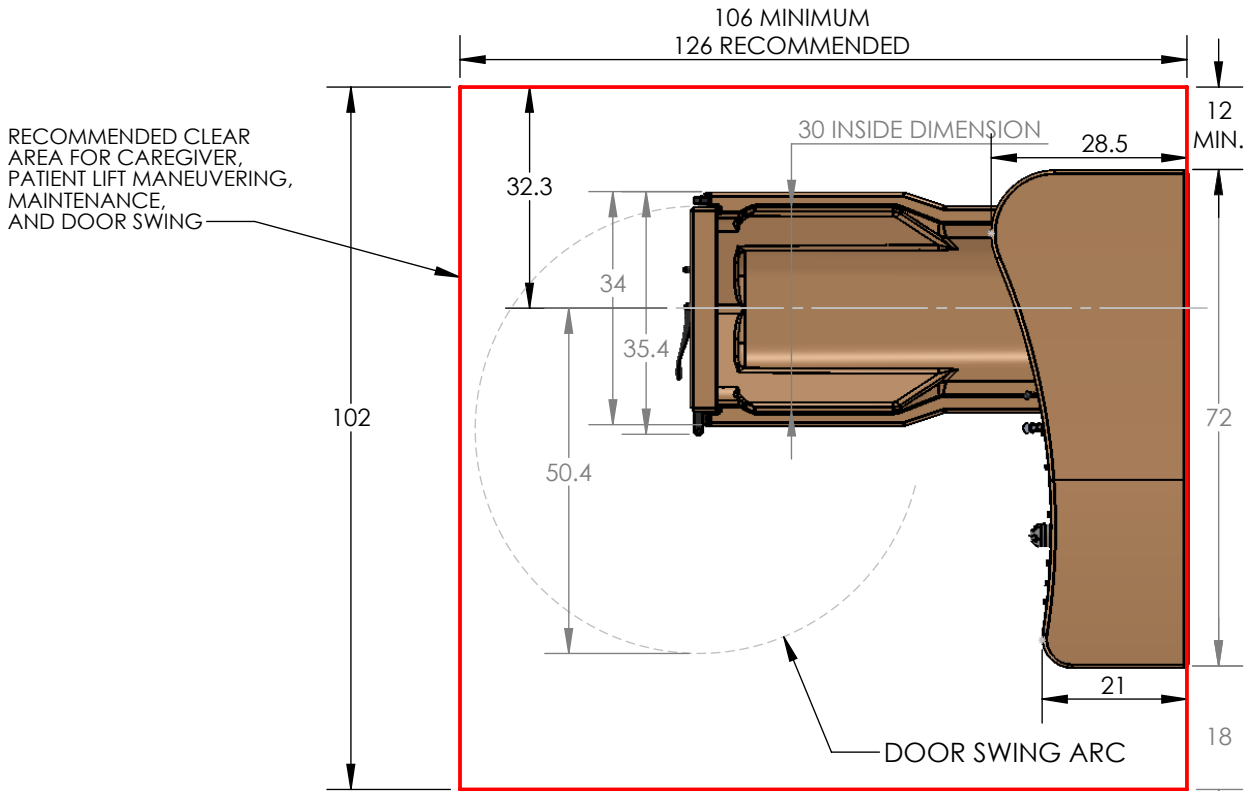
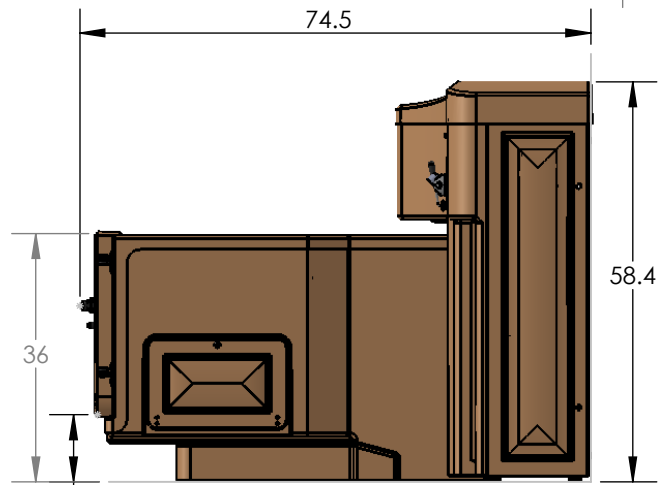
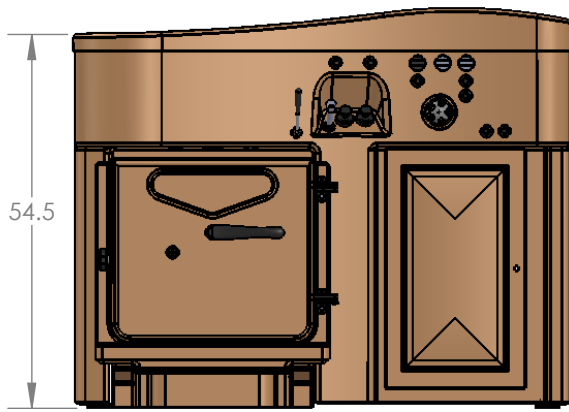


# CASCADE CONTOUR WITH END OPENING SPA



TO TRANSPORT THIS TUB INTO A ROOM, THE DOOR OPENING WIDTH MUST BE 35.5 INCHES MINIMUM.

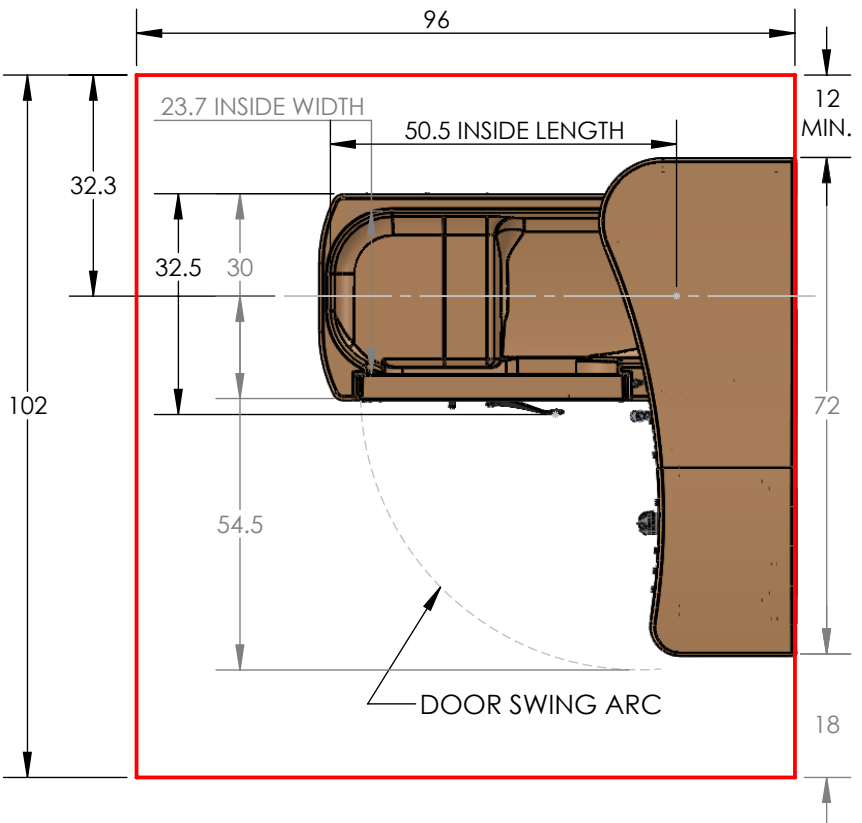


10  
DOOR THRESHOLD HT

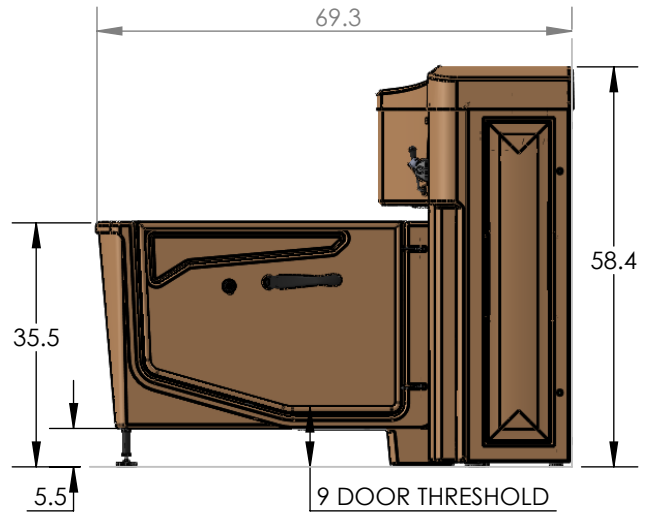
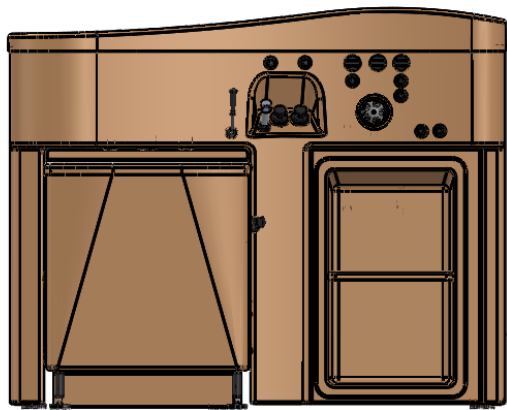
|                                   | RIGHT HAND (SHOWN)             | LEFT HAND (MIRROR IMAGE)                          |
|-----------------------------------|--------------------------------|---|
| MODEL NUMBER                      | 360030-XC                      | SAME  |
| DESCRIPTION                       | CASCADE CONTOUR                | CASCADE CONTOUR                                   |
| "TUB TYPE" OPTION SELECTED        | RIGHT HAND END OPENING (SHOWN) | LEFT HAND END OPENING (MIRROR IMAGE OF SHOWN TUB) |
| TUB WATER CAPACITY                | 100 GALLONS                    | 100 GALLONS                                       |
| RESERVOIR WATER CAPACITY          | 45 GALLONS                     | 45 GALLONS  |
| FILLED TUB WEIGHT                 | 1258 LBS                       | 1258 LBS  |
| FILLED CABINET WEIGHT (RESERVOIR) | 690 LBS                        | 690 LBS   |
| TUB ONLY WEIGHT                   | 420 LBS                        | 420 LBS   |
| CABINET ONLY WEIGHT               | 315 LBS                        | 315 LBS   |
| TUB SHIPPING WEIGHT               | 395 LBS                        | 395 LBS   |
| CABINET SHIPPING WEIGHT           | 475 LBS                        | 475 LBS   |

PENNER MFG INC.  
102 GRANT ST.  
AURORA, NE. 68818  
402-694-5003

# CASCADE CONTOUR WITH SIDE ENTRY SPA



TO TRANSPORT THIS TUB INTO A ROOM, THE DOOR OPENING WIDTH MUST BE 33 INCHES. HOWEVER, IT CAN BE AS SMALL AS 30 INCHES IF THE WATER DOOR IS REMOVED FROM THE TUB PRIOR TO ENTRY.

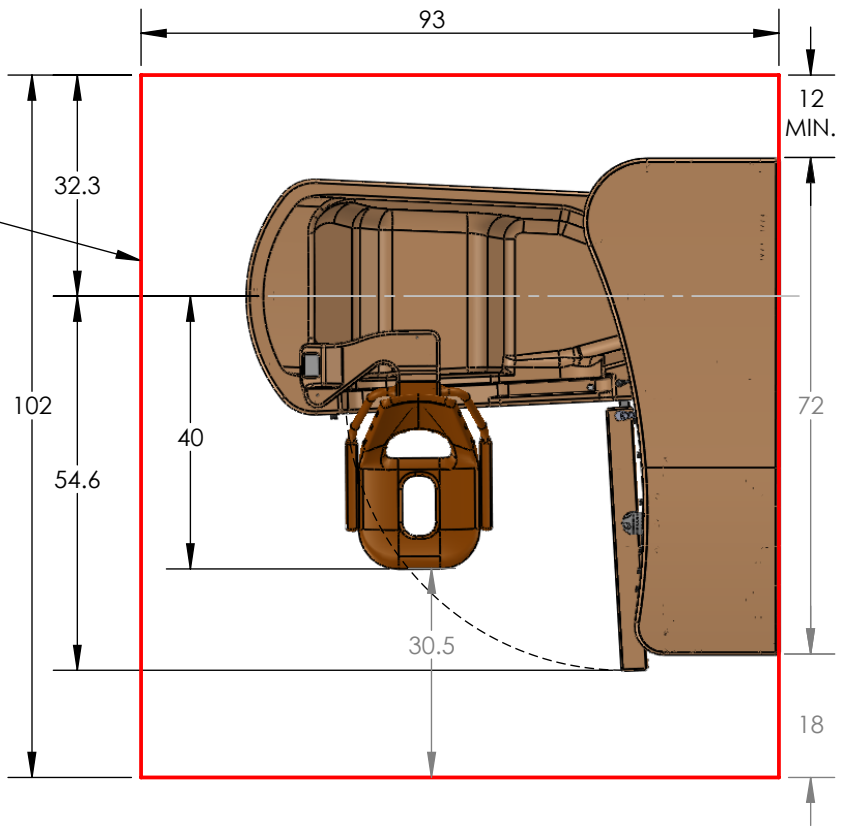


|                                   | RIGHT HAND (SHOWN)    | LEFT HAND (MIRROR IMAGE)                        |
|-----------------------------------|-----------------------|---|
| MODEL NUMBER                      | 360030-XC             | SAME  |
| DESCRIPTION                       | CASCADE CONTOUR       | CASCADE CONTOUR                                 |
| "TUB TYPE" OPTION SELECTED        | RIGHT HAND SIDE ENTRY | LEFT HANDSIDE ENTRY (MIRROR IMAGE OF SHOWN TUB) |
| TUB WATER CAPACITY                | 80 GALLONS            | 80 GALLONS                                      |
| RESERVOIR WATER CAPACITY          | 45 GALLONS            | 45 GALLONS                                      |
| FILLED TUB WEIGHT                 | 960 LBS               | 960 LBS   |
| FILLED CABINET WEIGHT (RESERVOIR) | 690 LBS               | 690 LBS   |
| TUB ONLY WEIGHT                   | 420 LBS               | 420 LBS   |
| CABINET ONLY WEIGHT               | 315 LBS               | 315 LBS   |
| TUB SHIPPING WEIGHT               | 530 LBS               | 530 LBS   |
| CABINET SHIPPING WEIGHT           | 475 LBS               | 475 LBS   |

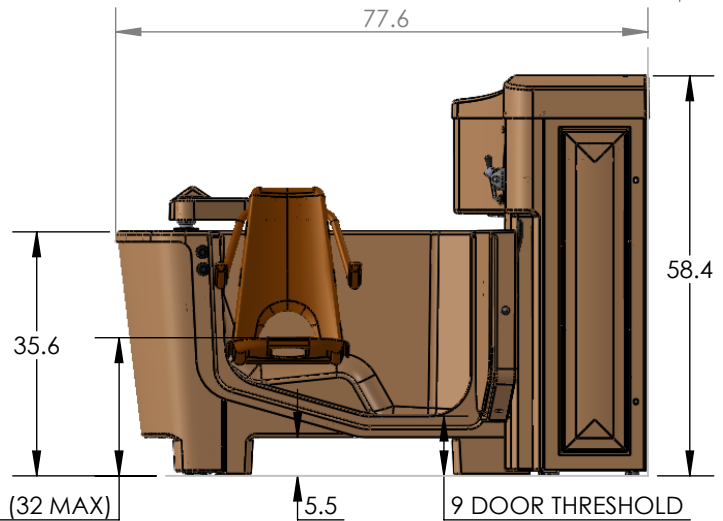
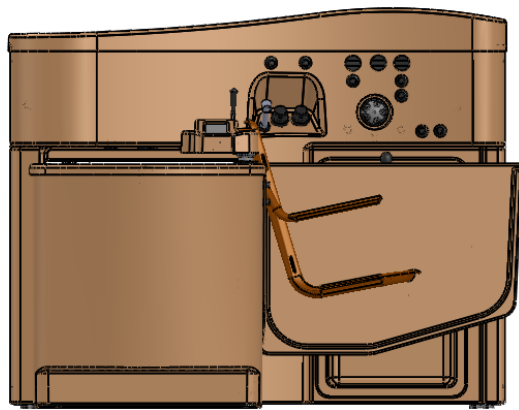
PENNER MFG INC.  
102 GRANT ST.  
AURORA, NE. 68818  
402-694-5003

# CASCADE CONTOUR WITH SWIVEL LIFT SPA

RECOMMENDED CLEAR AREA FOR CAREGIVER, PATIENT LIFT MANEUVERING, MAINTENANCE, AND DOOR SWING



TO TRANSPORT THIS TUB INTO A ROOM, THE DOOR OPENING WIDTH MUST BE 35 INCHES MINIMUM.



SEAT HEIGHT 20 (32 MAX)

5.5

9 DOOR THRESHOLD

|                                   | RIGHT HAND (SHOWN)     | LEFT HAND (MIRROR IMAGE)                          |
|-----------------------------------|------------------------|---|
| MODEL NUMBER                      | 360030-XC              | SAME  |
| DESCRIPTION                       | CASCADE CONTOUR        | CASCADE CONTOUR                                   |
| "TUB TYPE" OPTION SELECTED        | RIGHT HAND SWIVEL LIFT | LEFT HAND SWIVEL LIFT (MIRROR IMAGE OF SHOWN TUB) |
| TUB WATER CAPACITY                | 80 GALLONS             | 80 GALLONS  |
| RESERVOIR WATER CAPACITY          | 45 GALLONS             | 45 GALLONS  |
| FILLED TUB WEIGHT                 | 960 LBS                | 960 LBS   |
| FILLED CABINET WEIGHT (RESERVOIR) | 690 LBS                | 690 LBS   |
| TUB ONLY WEIGHT                   | 420 LBS                | 420 LBS   |
| CABINET ONLY WEIGHT               | 315 LBS                | 315 LBS   |
| TUB SHIPPING WEIGHT               | 530 LBS                | 530 LBS   |
| CABINET SHIPPING WEIGHT           | 475 LBS                | 475 LBS   |

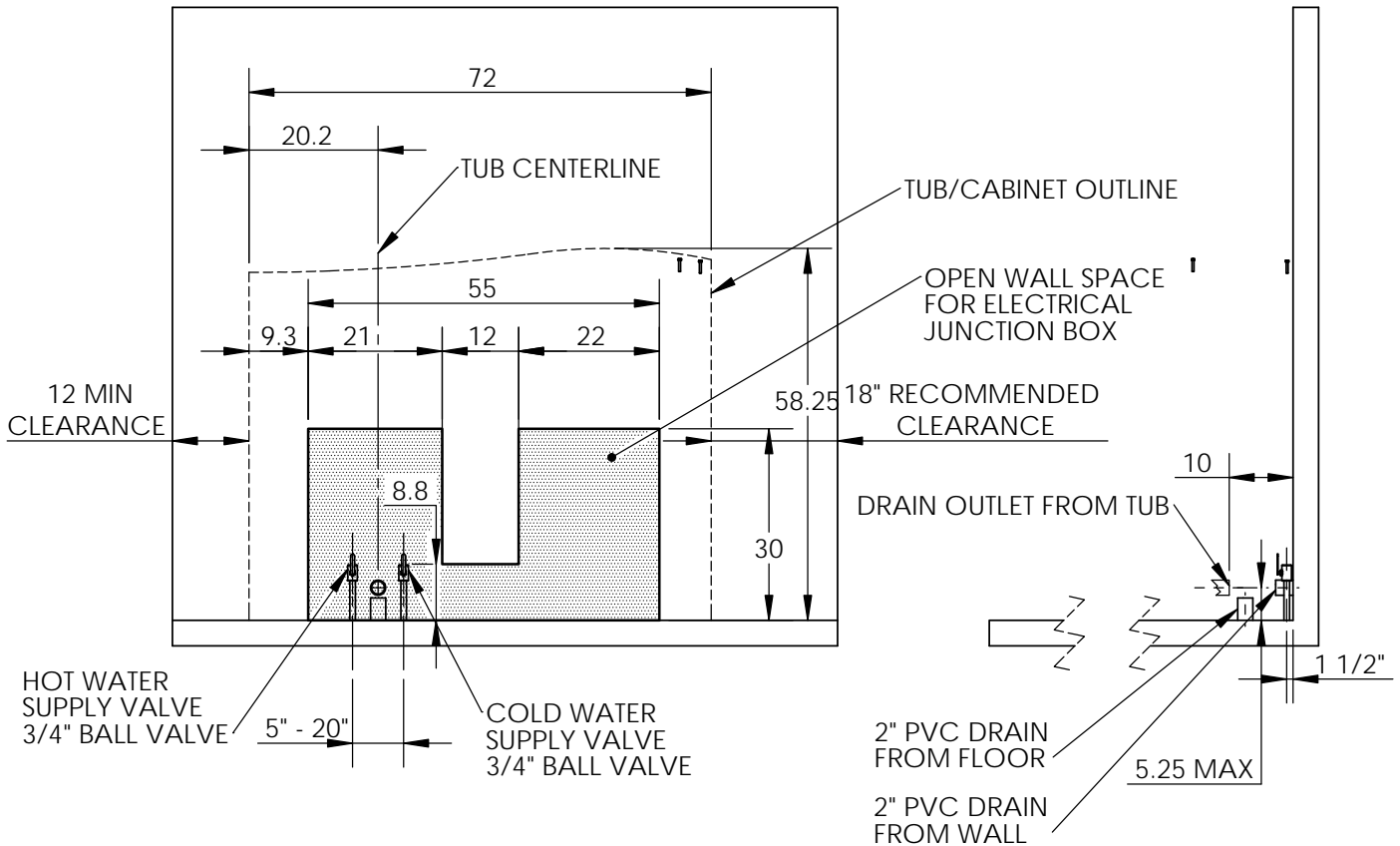
PENNER MFG INC.  
102 GRANT ST.  
AURORA, NE. 68818  
402-694-5003

# PENNER MFG INC. CASCADE CONTOUR SPA RIGHT HAND UNIT ROUGH-IN SPECIFICATIONS

Water Supply: 3/4" HW & CW Supply lines preferred  
with ball valves with male 3/4 npt threads (not supplied)  
(72" FLEXIBLE STAINLESS STEEL BRAIDED CONNECTING LINES SUPPLIED)

Drain: 2" PVC pipe from floor or wall as shown below.  
(P-trap not supplied)

Tub Electrical Rating: 120 Volts 7.25 Amps  
(9.5 Amps with swivel lift tub option)  
Recommended Electrical Supply: 15 Amp with GFCI protection  
(Nuisance tripping may occur if the wiring is too light for the  
distance between the breaker and the spa.)



**FOR LEFT HAND ROUGH-IN SPECIFICATIONS,  
PLEASE CONTACT PENNER MANUFACTURING**