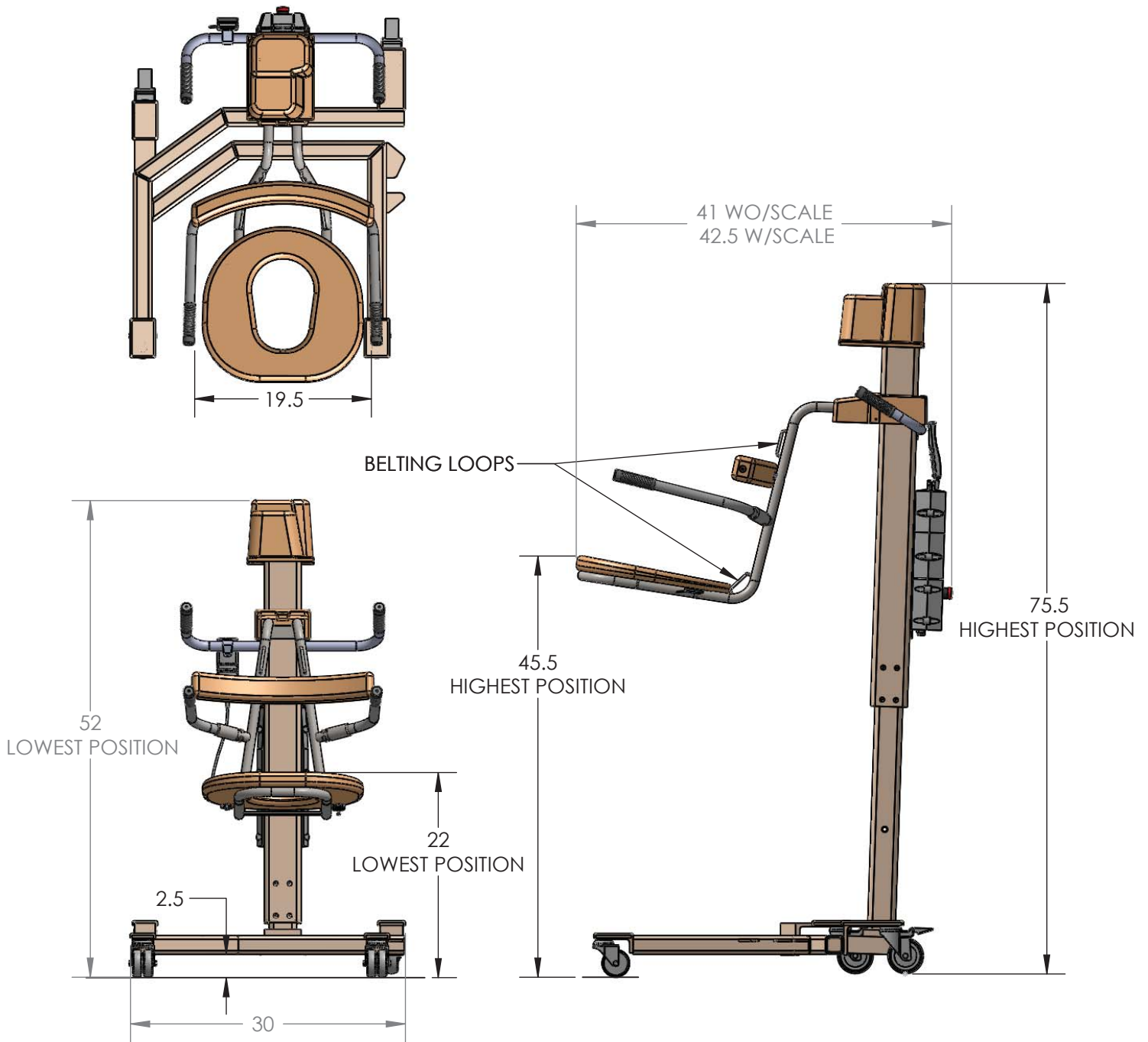


TRANSFER ELECTRIC CASCADE - STANDARD



MODEL NUMBER	382000-1	382000-1L	383000-1	383000-1L
DESCRIPTION	TRANSFER ELECTRIC CASCADE	TRANSFER ELECTRIC CASCADE L/H	TRANSFER ELECTRIC W/SCALE	TRANSFER ELEC W/SCALE L/H
IMAGE	AS SHOWN	MIRROR IMAGE OF SHOWN	AS SHOWN	MIRROR IMAGE OF SHOWN
SCALE	NO	NO	YES	YES
WEIGHT	150 LBS	150 LBS	165 LBS	165 LBS
SHIPPING WEIGHT	250 LBS	250 LBS	265 LBS	265 LBS

LOAD RATING: 400 LBS
 LIFT OPERATING VOLTAGE: 24 VDC (2 BATTERY PACKS INCLUDED)
 WALL CHARGER INCLUDED
 FRONT CASTERS: DOUBLE 3" SWIVEL
 REAR CASTERS: SINGLE 4" WITH FULL SWIVEL LOCKING BRAKE

PENNER MFG INC.
 102 GRANT ST.
 AURORA, NE. 68818
 402-694-5003