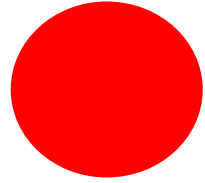
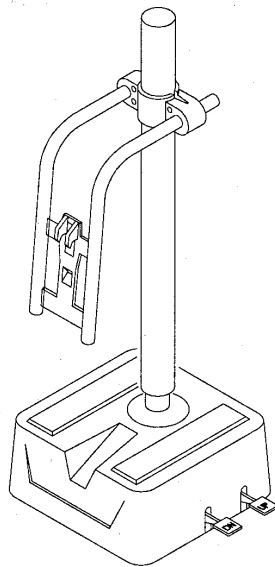


Penner Manufacturing, Inc.



PENNER STATIONARY LIFT REPLACEMENT PARTS



Box 523 102 Grant Street Aurora, NE 68818

Fax: 402-694-5319 Phone 1-800-732-0717

email: pennersales@hamilton.net www.pennercareinc.com

NEW TRANSFER WITH FOLD UP FOOT RESTS AND EXTRA WIDE SEAT

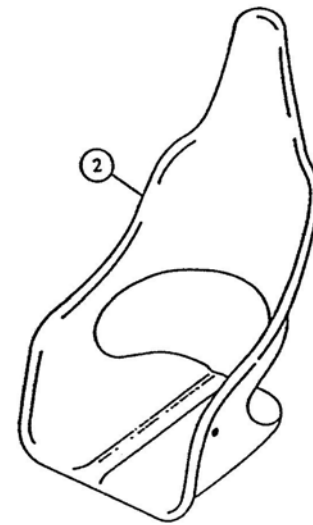
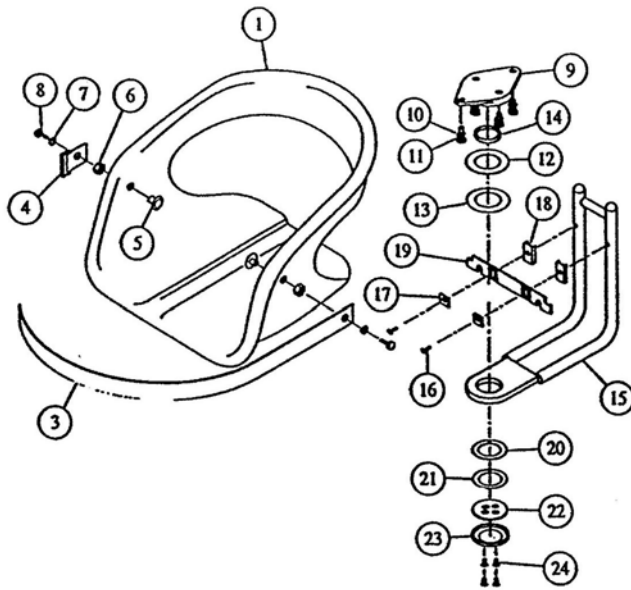


Box 523 102 Grant Street Aurora, NE 68818

Fax: 402-694-5319 Phone 1-800-732-0717

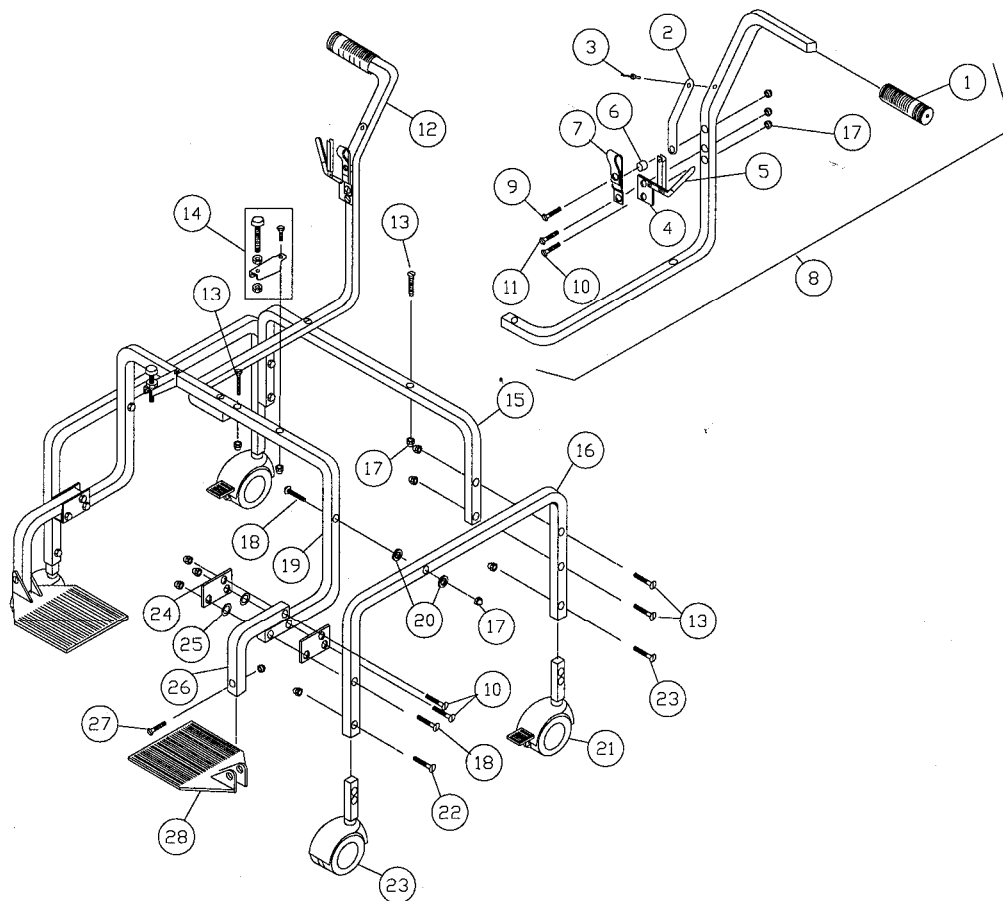
email: pennersales@hamilton.net www.pennercareinc.com

Seats



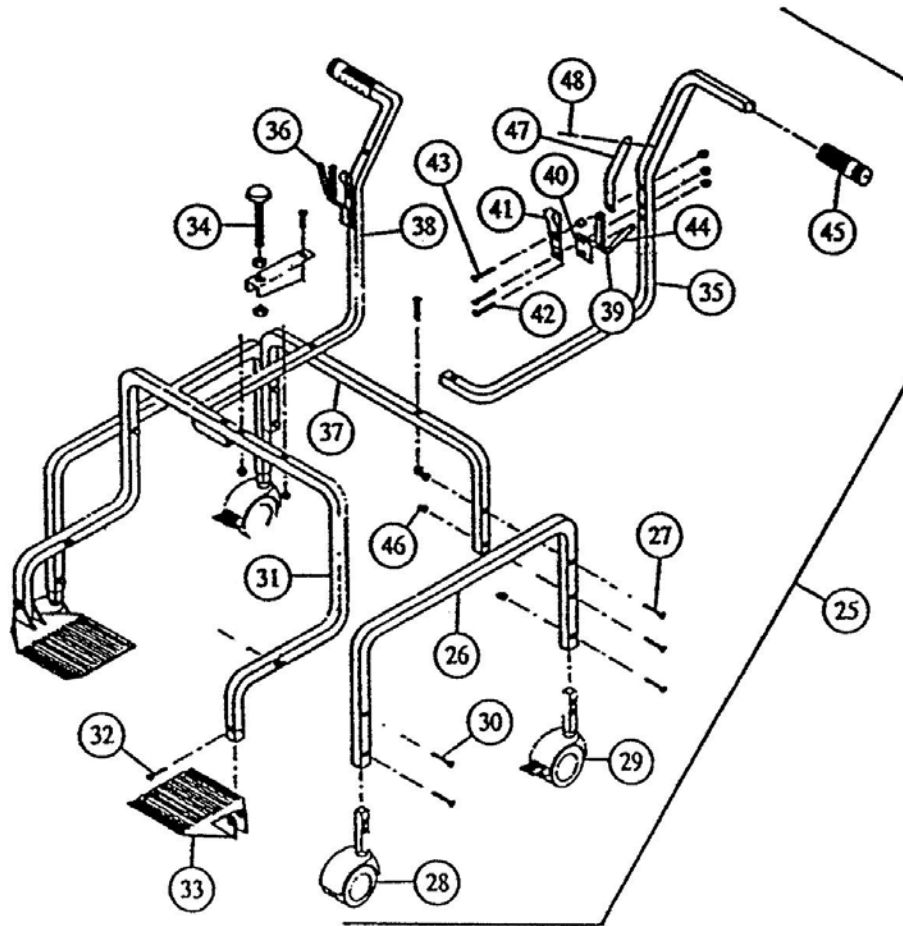
Item	Item Number	Description	Item	Item Number	Description
1	PS20035	EXTRA WIDE LOW BACK SEAT COMPLETE - WHITE	10	PSP21330	5/16 LOCK WASHER
	PSP20135	EXTRA WIDE LOW BACK SEAT ONLY - WHITE	11	PSP21610	5/16-18 X 3/4 HXHD SS
	PS20015	EXTRA WIDE LOW BACK SEAT COMPLETE - GRAY	12	PSP21790	LARGE PHENOLIC WASHER .03
	PSP20115	EXTRA WIDE LOW BACK SEAT ONLY - GRAY	13	PSP21770	LARGE PHENOLIC WASHER .02
2	PS20505	HIGH BACK SEAT ONLY - BEIGE	14	PSP21160	PHENOLIC BEARING BUSHING
	PS20535	HIGH BACK SEAT ONLY - WHITE	15	PSP21110	LOWER ARM
3	PSP21040	42" SEAT BELT W/HARDWARE	16	PSP21620	5/16-18 X 3/4 RDHD SS
	PSP21050	48" SEAT BELT W/HARDWARE	17	PSP21850	SERRATED WASHER
	PSP21055	56" SEAT BELT W/HARDWARE	18	PSP21720	TRANSFER PLATE SPACER
4	PSP21240	D-RING FASTENER W/HARDWARE	19	PSP21120	LOWER ARM TRANSFER PLATE
5	PSP21150	3/4 SHOULDER BOLT	20	PSP21800	SMALL PHENOLIC WASHER .03
6	PSP21710	SEAT BELT SPACER	21	PSP21780	SMALL PHENOLIC WASHER .02
7	PSP21810	WASHER	22	PSP21730	SS BEARING CAP
8	PSP21600	1/4-20 X 7/8 SS SCREW	23	PSP21220	PLASTIC COVER CAP
9	PSP21310	SEAT BEARING KIT	24	PSP21590	1/4-20 X 3/4 SLTD SS

Penner Transfer System With Fold Up Footrests



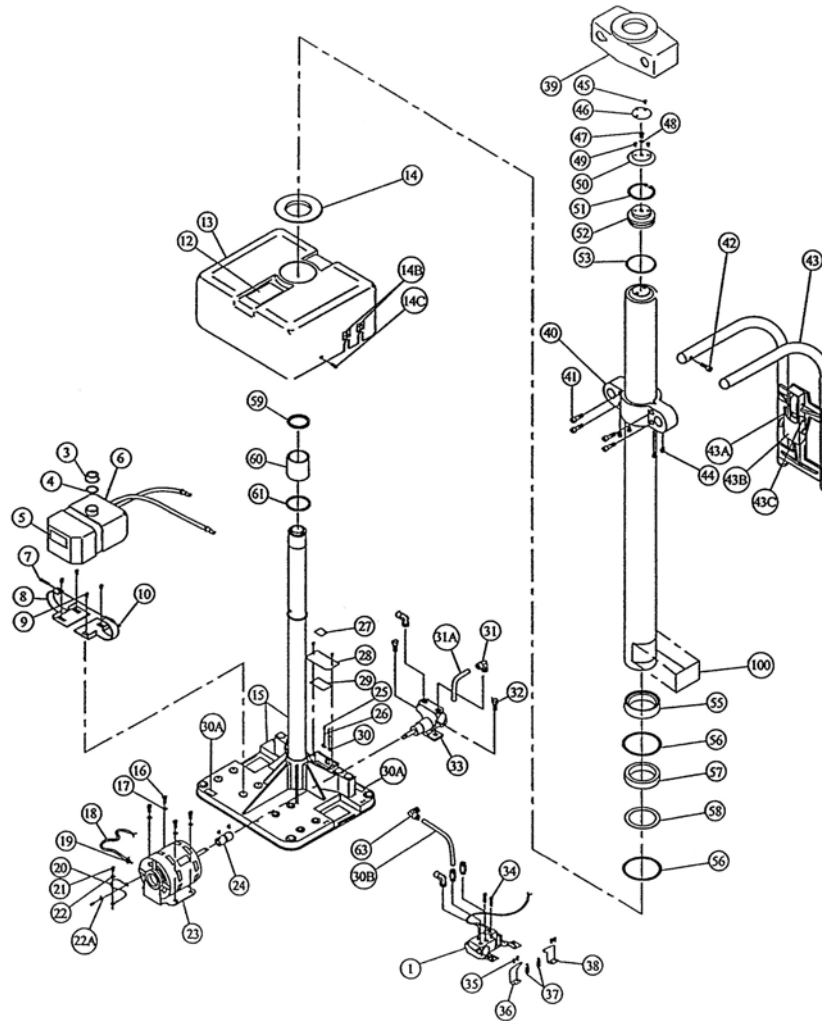
Item	Item Number	Description	Item	Item Number	Description
1	PCP60591	HAND GRIP GRAY	15	PCP61030	REAR SUPPORT
2	PCP60330	SS WEAR PLATE	16	PCP60960	SIDE LEG
3	PCP60360	1/8" POP RIVET	17	PCP60380	1/4-20 ACORN NUT
4	PCP61075	LATCH ASSEMBLY R&L - TOGGLE, RED	18	PCP60563	SCREW 1/4-20 X 2" RD/SLHD PLT
5	PCP60606	HANDLE COVER - RED	19	PCP60561	FRONT SUPPORT - TRANSFER
6	PCP60400	ALIGNMENT BRACKET SPACER	20	PCP60562	WASHER 9/32" ID X 5/8" OD X 1/8" THICK SS
7	PCP60390	ALIGNMENT BRACKET	21	PCP61040	SWIVEL CASTOR BRAKED
8	PCP60700	ARM - LEFT (SERVICE)	22	PCP60860	1/4-20 X 1 RDHD PLTD SCREW
9	PCP60320	SCR 1/4-20 1 5/8 RD/SLHD PLT	23	PCP61050	SWIVEL CASTOR NON-BRAKED
10	PCP60340	1/4-20 X 1 1/8 RDHD SCREW	24	PCP60551	PLATE - FOOTREST
11	PCP60310	1/4-20 X 1 1/4 RDHD SCREW	25	PCP60552	SHIM - 1/4 ID X 3/8 OD X 1/64
12	PCP60830	ARM - RIGHT SERVICE	26	PCP60553	BRACKET - FOOT REST
13	PCP60350	1/4-20 X 1 3/4 RDHD PLTD SCREW	27	PCP60850	1/4-20 X 1 1/2 RDHD SLT
14	PCP60920	SEAT BUMPER KIT SET OF 2	28	PCP60555	FOOTREST GRAY

SafKary Transfer System



Item	Item Number	Description	Item	Item Number	Description
25	PC60000	PENNER TRANSFER COMPLETE	38	PCP60830	RIGHT ARM
26	PCP60960	SIDE LEG	39	PCP61080	SEAT LATCH RIGHT
27	PCP60350	1/4-20 X 1 3/4 RDHD PLTD SCREW		PCP61070	SEAT LATCH LEFT
28	PCP61050	SWIVEL CASTOR NON-BRAKED	40	PCP60400	ALIGNMENT BRACKET SPACER
29	PCP61040	SWIVEL CASTOR BRAKED	41	PCP60390	ALIGNMENT BRACKET
30	PCP60860	1/4-20 X 1 RDHD PLTD SCREW	42	PCP60340	1/4-20 X 1 1/8 RDHD SCREW
31	PCP60560	FRONT SUPPORT	43	PCP60310	1/4-20 X 1 1/4 RDHD SCREW
32	PCP60850	1/4-20 X 1 1/2 RDHD SLT	44	PCP60605	HANDLE COVER
33	PCP60550	FOOTREST	45	PCP60590	HAND GRIP
34	PCP60920	SEAT BUMPER KIT SET OF 2	46	PCP60380	1/4-20 ACORN NUT
35	PCP60700	LEFT ARM	47	PCP60330	SS WEAR PLATE
36	PCP60670	LATCH ASSY KIT	48	PCP60360	1/8" POP RIVET
37	PCP61030	REAR SUPPORT			

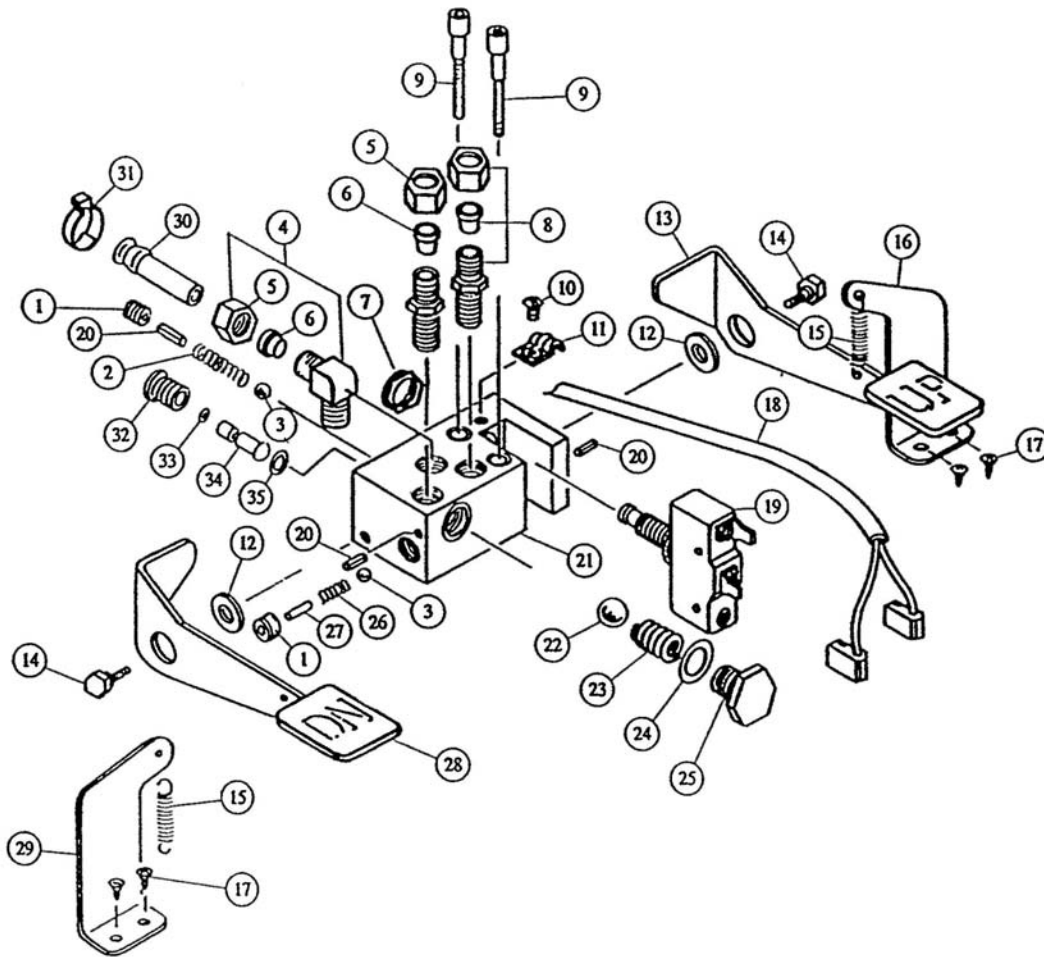
Penner Patient Lift



Item	Item Number	Description	Item	Item Number	Description
1	PLP900	HYDRAULIC VALVE	15	PLP30	HYDRAULIC SHAFT WITH BASE
3	PLP390	OIL RESERVOIR CAP	16	PLP170	BOLT 1/4-20 X 1/2
4		GASKET	17	PSP21810	WASHER
5		LABEL	18	PLP130	MOTOR CORD ASSY
6	PLP370	OIL RESERVOIR W/HOSES	19		CONNECTOR
7	PLP200	STRAP FASTENER	20		EUROPE GROUND WIRE
8	PLP180	RESERVOIR MOUNTING STRAP	21	PRP07750	SCREW 10-24 X 3/8
9	PLP210	SCREW 1/2-20 X 1/2	22		WASHER #8
10	PRP07060	HEX NUT 10-24	22A		WASHER #10
12		LABEL	23	PLP50	1/3 HP MOTOR
13	PLP41135	WHITE RIGHT FIBERGLASS COVER	24	PLP40	MOTOR COUPLER
	PLP41235	WHITE LEFT FIBERGLASS COVER	25	PLP310	SCREW 10-24 X 3/8
14	PLP610	BASE COVER ESCUTCHEON	26	PRP07345	LOCKWASHER 3/16
14B	PLP43660	SL10 ARROW	27		LABEL
14C	PLP410	WASHER 10-24			

Item	Item Number	Description	Item	Item Number	Description
28	PLP270	BOX COVER	45	PLP42990	NAMEPLATE SCREW
29		WIRE LABEL	46	PLP43600	COVER PLATE
30	PLP280	GROUNDING LUG	47	PLP42980	1/2-20 HEX SOCKET
30A		LABEL WARNING ANCHOR	48	PLP42970	O-RING
30B	PLP1430	OIL LINE CYLINDER	49	PLP42880	10-32 X 3/8 FLATHEAD SCREW
31	PLP690	ELL 90M X CMPR 1/2 X 3/4	50	PLP42860	COVER BLACK
31A	PLP740	OIL LINE PUMP	51	PLP42840	SNAP RING TRUARC
32	PSP21610	SCREW 5/16-18 X 3/4 HXHD SS	52	PLP42820	TOP PLUG
33	PLP760	HYDRAULIC PUMP	53	PLP42810	O-RING TOP PLUG
34	PLP960	1/4-20 X 11/2 SOCKET CAP	54	PLP42790	OUTSIDE CYLINDER
35	PLP1090	SCREW	55	PLP42650	LOWER BEARING
36	PLP1380	LEFT PEDAL SPRING BRACKET	56	PLP1490	SNAP RING
37	PLP1060	PEDAL SPRING	57	PLP42630	SEAL
38	PLP1070	RIGHT PEDAL SPRING BRACKET	58	PLP42610	SEAL RETAINER
39	PLP43090	CLAMP COVER WHITE	59	PLP42770	SNAP RING TOP BRASS BEARING
	PLP43100	CLAMP COVER BEIGE	60	PLP42720	TOP BRASS BEARING
40	PLP43040	ADJ ARM CLAMP	61	PLP42670	SNAP RING INSIDE SHAFT
41	PLP43020	SCREW 3/8-16 X 13/4	63	PLP870	ELL 90 COMP 3/8 X 1/4 BRASS
42		SCREW 5/16-18 X 3/8	64	PLP950	ADPT M X CMPR 3/8 X 1/4
43	PLP43150	UPPER ARM KIT			LABEL SAF LIFT COLUMN DECAL
43A	PLP43310	TORSION SPRING LEFT			LABEL WALL CHART
43B	PLP43270	LATCH COVER		PLP43890	QUART HYDRAULIC OIL
43C	PLP43350	TORSION SPRING RIGHT		PLP43500	ROCKITE KIT COMPLETE
44	PLP43000	5/16 X 3/8 ALLEN SET SCREW			

Complete Hydraulic Valve



Item	Part Number	Description	Item	Part Number	Description
1	PLP910	1/8 ALLEN PIPE PLUG BLACK	19	PLP1110	MICROSWITCH COMPLETE
2	PLP920	RELIEF SPRING	20	PLP1230	3/16 X 1/2 ROLL PIN
3	PLP930	1/4 STEEL BALL	21	PLP1280	VALVE BLOCK TESTED
4	PLP870	ELL 90M X CMPR 3/8 X 1/4 BRASS	22	PLP1290	1/2 STEEL BALL
5	PLP700	3/8 IN NUT	23	PLP1300	RELEASE SPRING
6	PLP710	SLEEVE 3/8	24	PLP1310	O-RING #113
7		MICROSWITCH LOCKNUT	25	PLP1330	HEX PLUG COMPLETE
8	PLP950	ADPT M X CMPR 3/8 X 1/4 BRASS	26	PLP1350	CHECK SPRING
9	PLP960	1/4-20 X 1 1/2 SOCKET CAP SCREW	27	PLP1380	3/16 X 9/16 ROLL PIN
10		10-24 X 3/8 PANHEAD SCREW PLATED	28	PLP1390	LEFT PEDAL, DOWN
11	PLP970	CORD HOLD DOWN CLIP	29	PLP1400	LEFT PEDAL SPRING BRACKET
12	PLP990	PEDAL BOLT WASHER	30	PLP630	ALUMINUM SLEEVE RETURN
13	PLP1000	RIGHT PEDAL, UP	31	PLP1400	SNAP CLAMP NYLON
14	PLP1050	PEDAL BOLT	32	PLP1410	VALVE POPPET GUIDE
15	PLP1060	PEDAL SPRING	33	PLP1420	O-RING
16	PLP1070	RIGHT PEDAL SPRING BRACKET	34	PLP42970	VALVE POPPET
17	PLP1090	SCREW #8 X 3/8 PANHEAD PLATED	35		O-RING #013
18	PLP1100	MICROSWITCH ELECTRIC CORD ASSY			

For your nearest distributor, contact:

***PENNER PATIENT CARE, INC.
Box 523 / 102 Grant St.
Aurora, NE 68818***

1-866-PENNERS

1-866-736-6377

1-800-732-0717

E-mail Address: pennersales@hamilton.net

Web Site: www.pennercareinc.com

350753

Rev. A