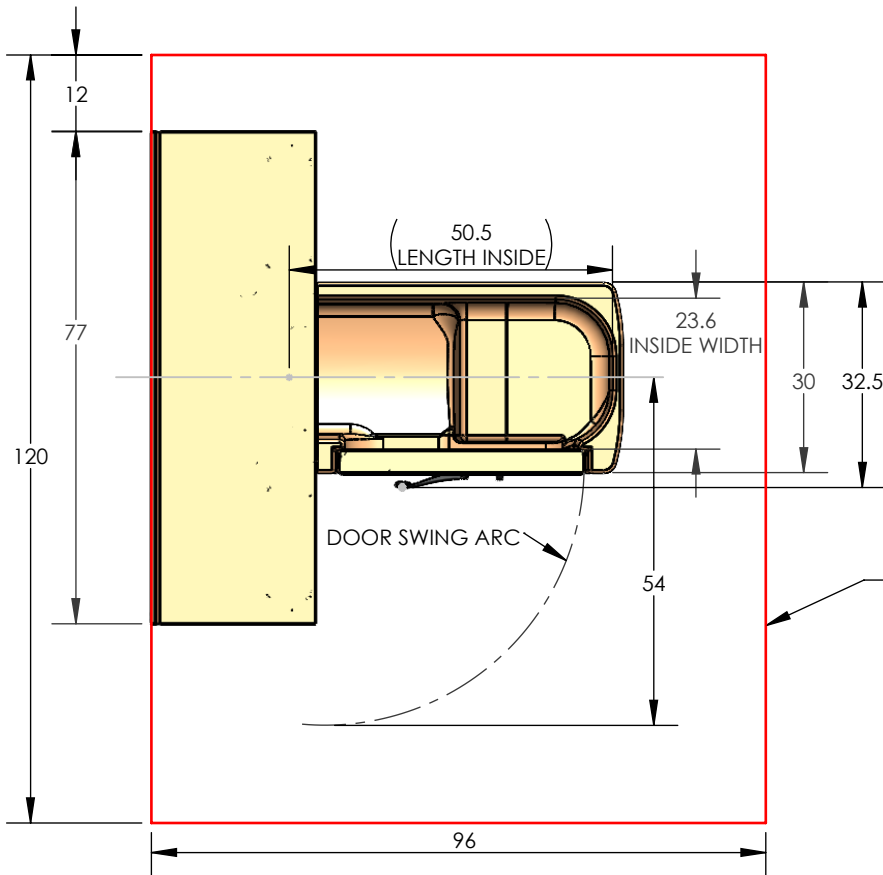
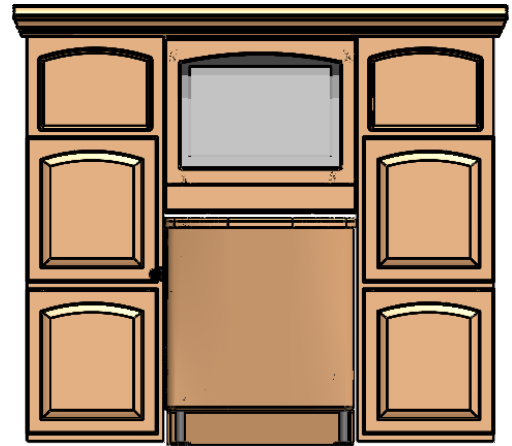
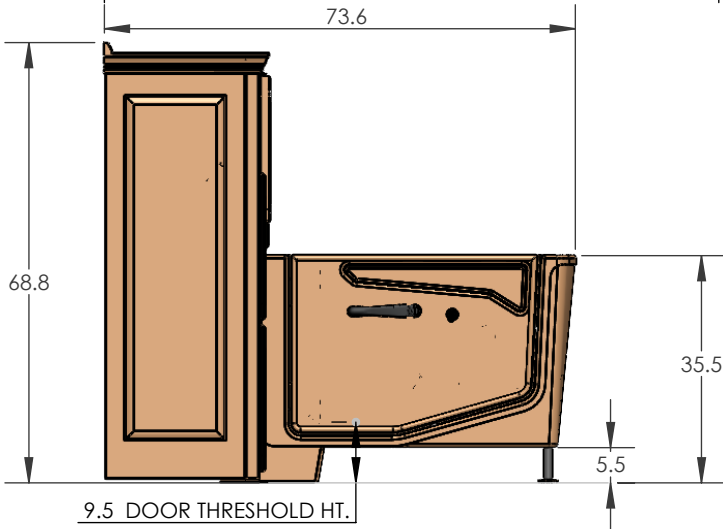


# PREMIER LEFT SIDE MOBILE TRANSFER ENTRY



RECOMMENDED CLEAR AREA FOR CAREGIVER, PATIENT LIFT MANEUVERING, MAINTENANCE, AND DOOR SWING

TO TRANSPORT THIS TUB INTO A ROOM, THE DOOR OPENING WIDTH MUST BE 33 INCHES. HOWEVER, IT CAN BE AS SMALL AS 30 INCHES IF THE WATER DOOR IS REMOVED FROM THE TUB PRIOR TO ENTRY.



PENNER MFG INC.  
102 GRANT ST.  
AURORA, NE. 68818  
402-694-5003

|                                   |                       |
|-----------------------------------|-----------------------|
| MODEL NUMBER                      | 360020-XPL            |
| DESCRIPTION                       | STANDARD PREMIER LEFT |
| "TUB TYPE" OPTION SELECTED        | LEFT SIDE ENTRY       |
| TUB WATER CAPACITY                | 80 GALLONS            |
| RESERVOIR WATER CAPACITY          | 65 GALLONS            |
| FILLED TUB WEIGHT                 | 944 LBS               |
| FILLED CABINET WEIGHT (RESERVOIR) | 970 LBS               |
| TUB ONLY WEIGHT                   | 278 LBS               |
| CABINET ONLY WEIGHT               | 428 LBS               |
| TUB SHIPPING WEIGHT               | 380 LBS               |
| CABINET SHIPPING WEIGHT           | 580 LBS               |

THE "X" IN THE MODEL NUMBER REPRESENTS A COLOR CODE

11/10/2020