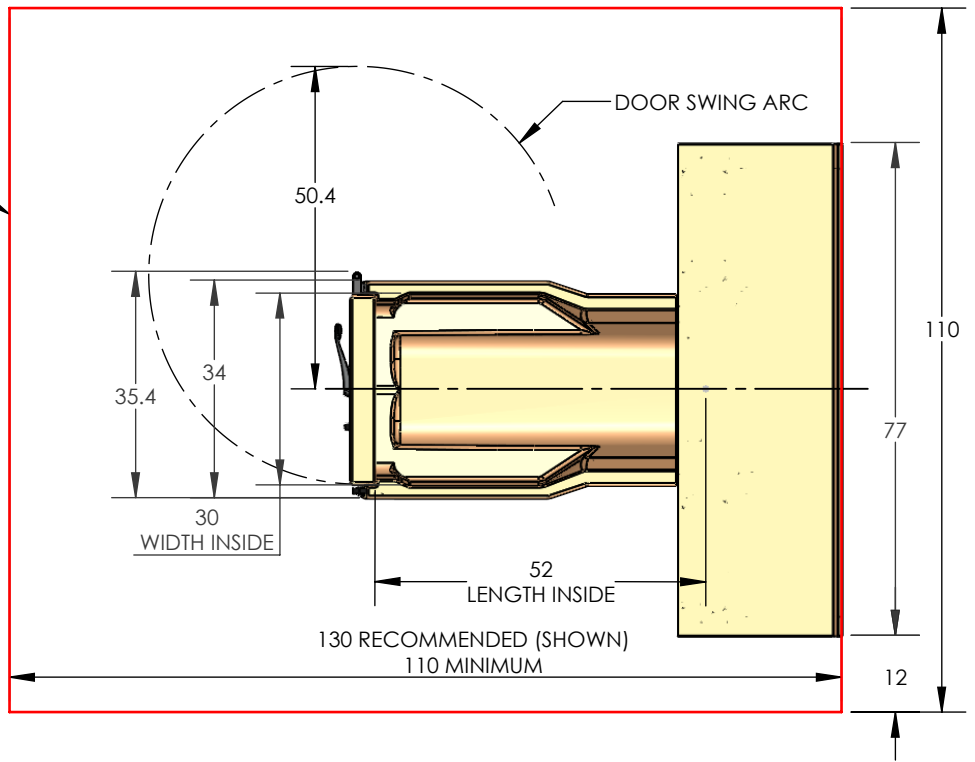
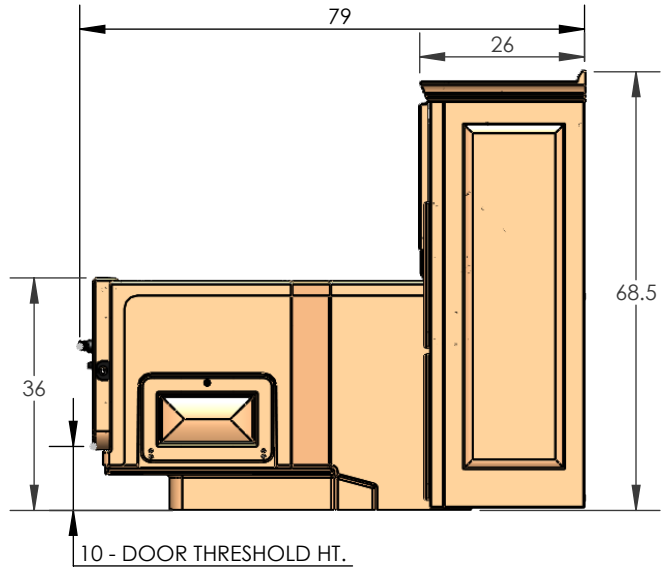
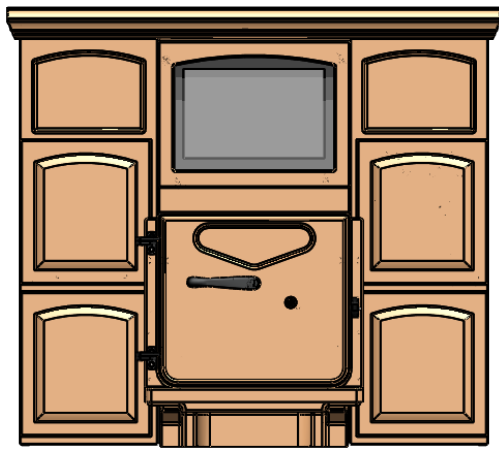


PREMIER LEFT HINGE END MOBILE TRANSFER

RECOMMENDED CLEAR AREA FOR CAREGIVER, PATIENT LIFT MANEUVERING, MAINTENANCE, AND DOOR SWING



35 1/2 IN. MINIMUM DOOR OPENING WIDTH REQUIRED FOR TRANSPORTING TUB INTO THE ROOM.



MODEL NUMBER	360020-XPL
DESCRIPTION	PREMIER LEFT
"TUB TYPE" OPTION SELECTED	LEFT HINGE END MOBILE TRANSFER
TUB WATER CAPACITY	100 GALLONS
RESERVOIR WATER CAPACITY	65 GALLONS
FILLED TUB WEIGHT	1258 LBS
FILLED CABINET WEIGHT (RESERVOIR)	966 LBS
TUB ONLY WEIGHT	293 LBS
CABINET ONLY WEIGHT	425 LBS
TUB SHIPPING WEIGHT	395 LBS
CABINET SHIPPING WEIGHT	580 LBS

THE "X" IN THE MODEL NUMBER REPRESENTS A COLOR CODE

PENNER MFG INC.
102 GRANT ST.
AURORA, NE. 68818
402-694-5003