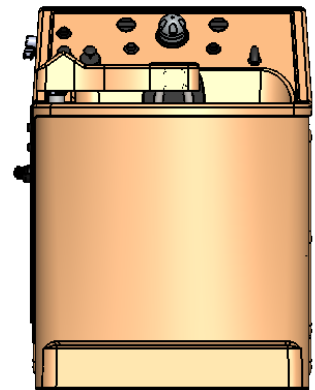
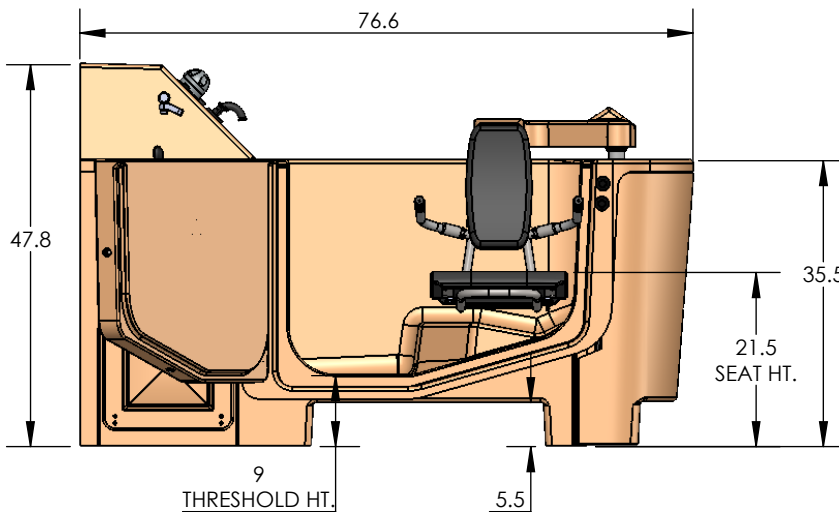
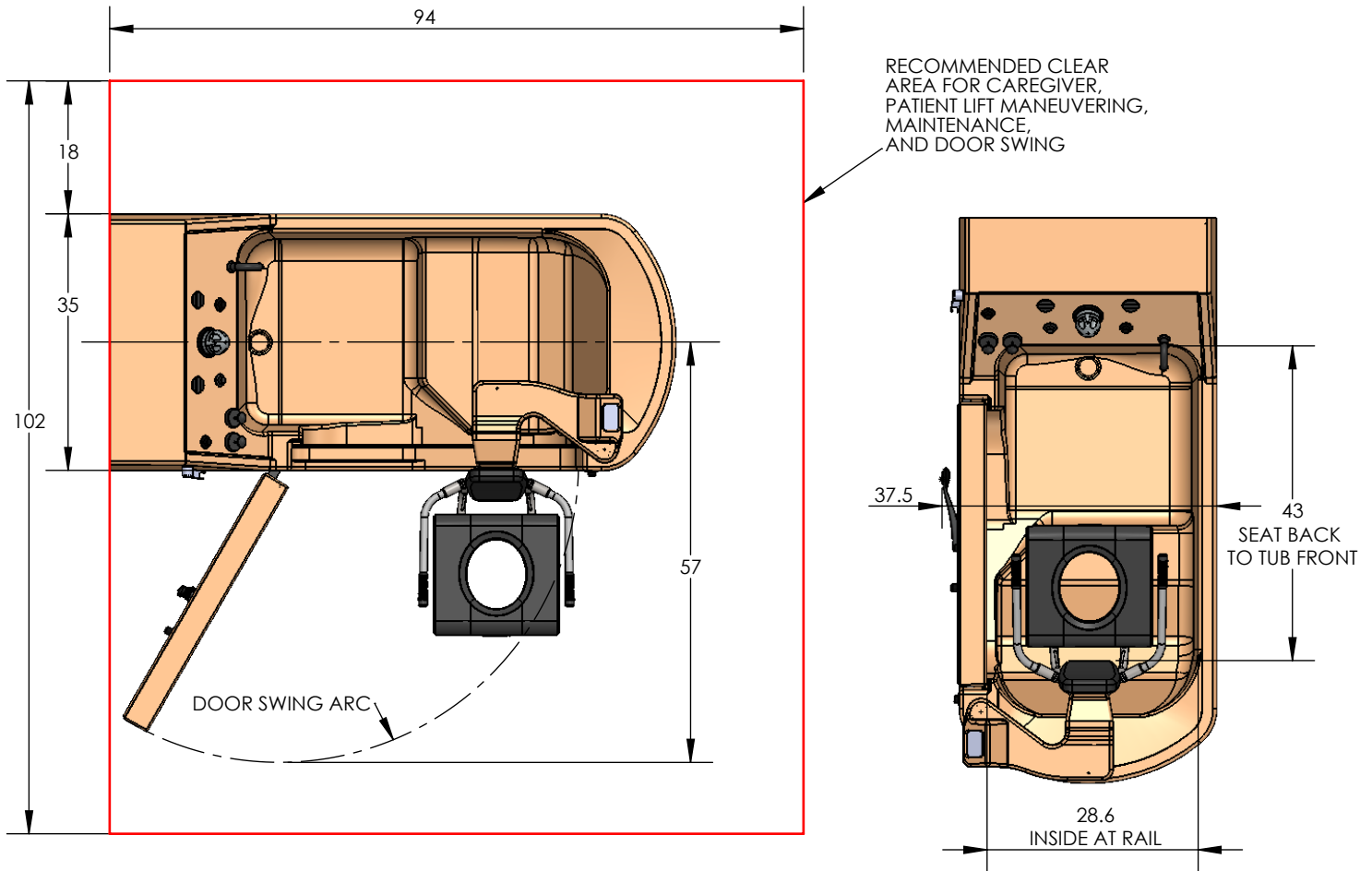


# CASCADE LEFT SIDE WITH POST TRANSFER



MODEL	360010-XWTL
DESCRIPTION	CASCADE W/BUILT IN SWIVEL LIFT LEFT SIDE ENTRY
LIFT SCALE	OPTIONAL
LIFT CAPACITY	400 LBS
LIFT STROKE	12 IN.
WATER CAPACITY	100 GAL
FILLED TUB WEIGHT	1370 LBS
TUB ONLY WEIGHT	540 LBS
SHIPPING WT	670 LBS

TO TRANSPORT THIS TUB INTO A ROOM, THE DOOR OPENING WIDTH MUST BE 38 INCHES. HOWEVER, IT CAN BE AS SMALL AS 35 INCHES IF THE WATER DOOR AND SHOWER ELBOW ARE REMOVED FROM THE TUB PRIOR TO ENTRY.

PENNER MFG INC.  
102 GRANT ST.  
AURORA, NE. 68818  
402-694-5003

THE "X" IN THE MODEL NUMBER REPRESENTS A COLOR CODE

11/3/2020