



# TheraSpa

## Parts and Service Manual

860748 Rev B 8-22-2022

1-800-732-0717

[www.pennerbathing.com](http://www.pennerbathing.com)

1-866-736-6377



# PENNER

## BATHING

*Bathing Solutions for Every Need*

Penner Patient Care  
101 Grant St  
Aurora, NE 68818  
Service help call 1-800-732-0717 or 1-866-736-6377  
[www.pennerbathing.com](http://www.pennerbathing.com)



# Table Of Contents

## Models 860010-1, 860010-1L

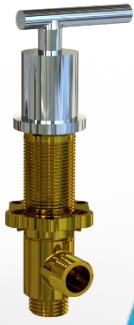
860748 Rev B 8-22-2022

1-800-732-0717

[www.pennerbathing.com](http://www.pennerbathing.com)

1-866-736-6377

2. **Table Of Contents**
3. **TheraSpa Operational Controls**
4. **Internal Spa Front View**
5. **Tempering Valve Adjustment**
6. **TheraSpa Water Door Internals**
7. **TheraSpa Water Door External Components**
8. **Aqua-Aire System**
9. **Drain Components**
10. **Plumbing Supply**
11. **Load Center**
11. **Comfort Warm System**



# TheraSpa Operation Controls

## Parts and Service Manual

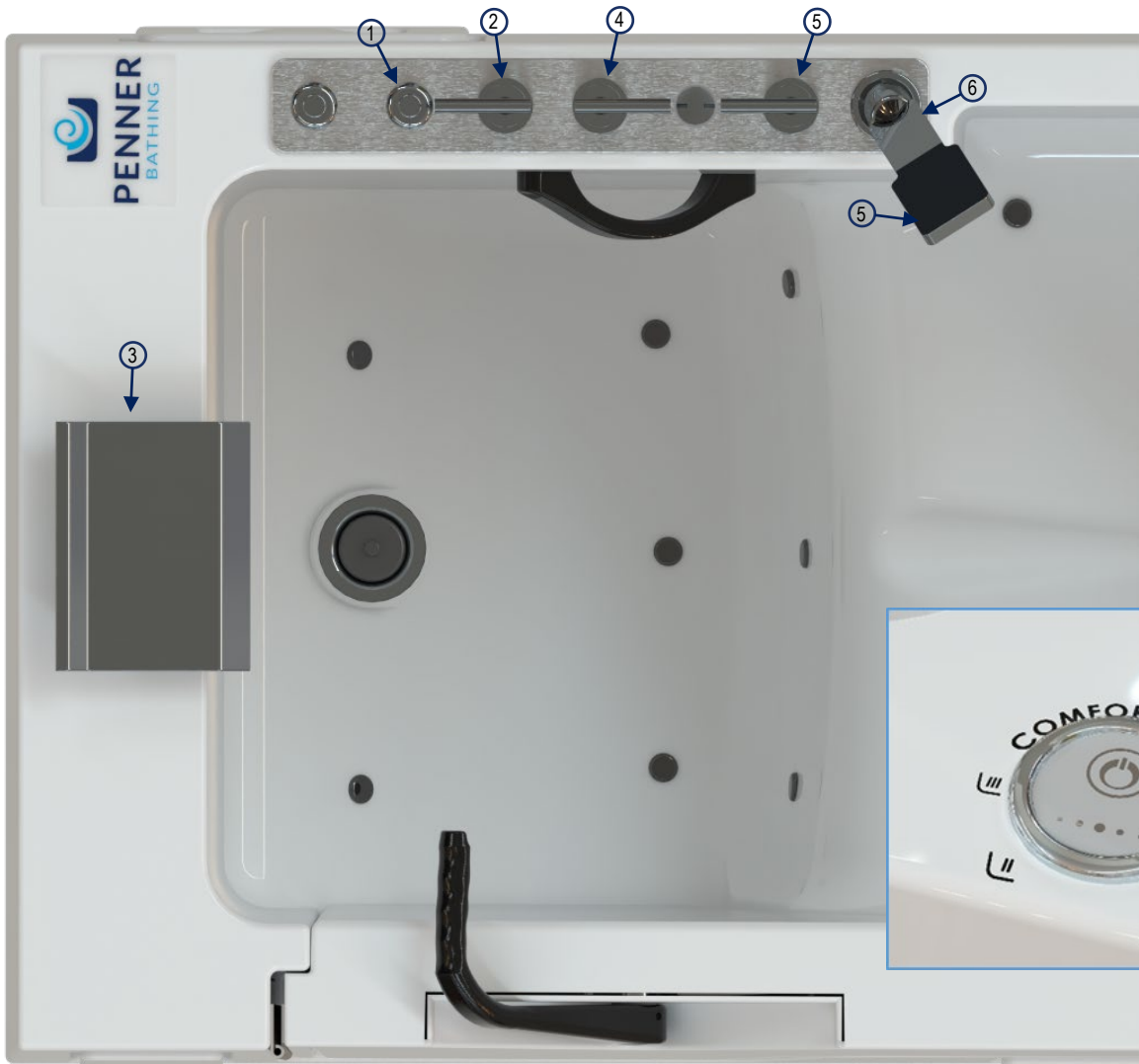
860748 Rev B 8-22-2022

1-800-732-0717

[www.pennerbathing.com](http://www.pennerbathing.com)

1-866-736-6377

- |    |          |                            |
|----|----------|----------------------------|
| 1. | 760495   | Blower Motor Air Switch    |
| 2. | 760150   | Hot Temperature Valve-Kit  |
| 3. | 760150   | Fill Spigot-Kit            |
| 4. | 760150   | Cold Temperature Valve-Kit |
| 5. | 760150   | Diverter Valve-Kit         |
| 6. | 760156   | Shower Sprayer             |
| 7. | 760720-3 | Label "Diverter"           |
| 8. | 760720-4 | Label "Hot"                |
| 9. | 760720-5 | Label "Cold"               |





# Internal Spa View Parts and Service Manual

860748 Rev B 8-22-2022

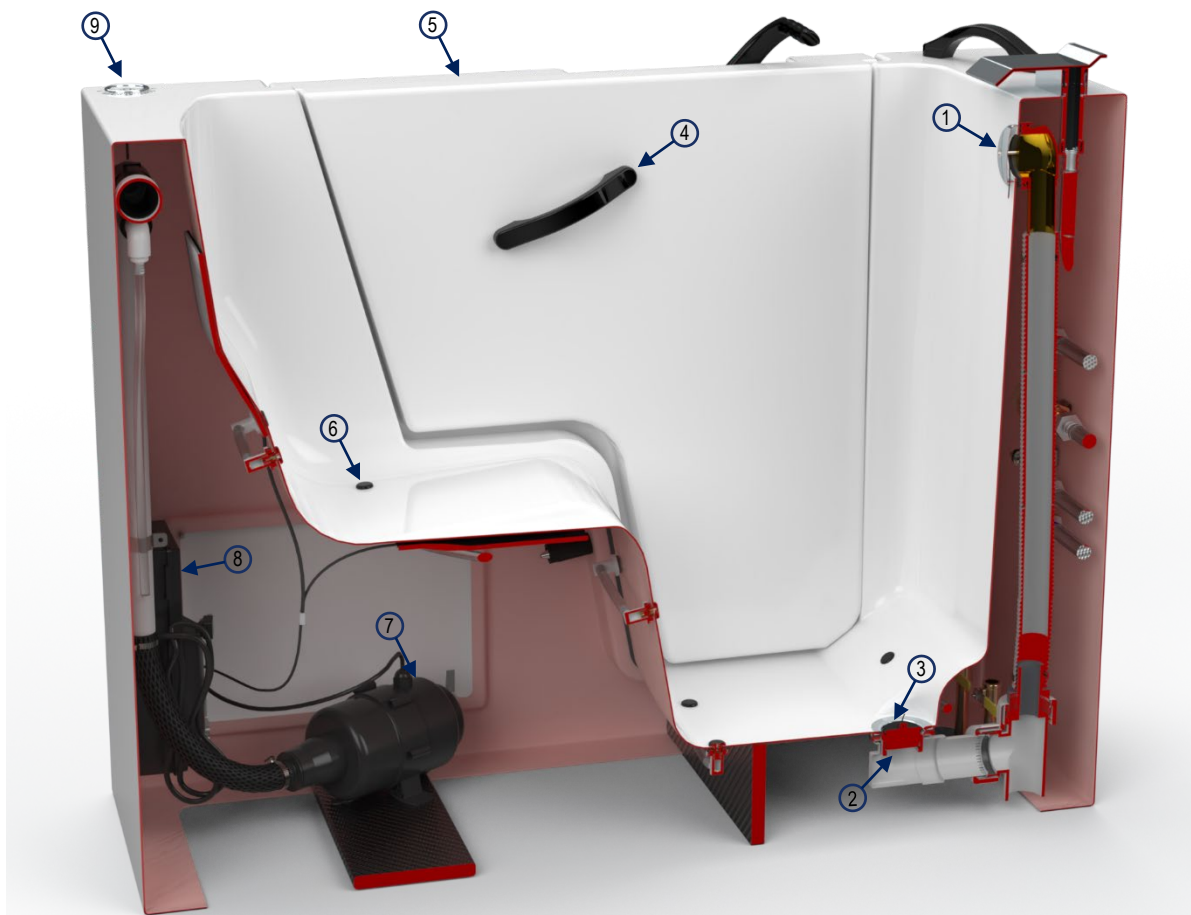
1-800-732-0717

www.pennerbathing.com

1-866-736-6377

Components of spa are referenced in relation to the front of the spa. The front of the spa is as a person sits in the spa facing the controls as shown below.

- 1. 350172 Overflow Escutcheon
- 2. 350391 Drain Screen
- 3. 350169 Drain Plug
- 4. 560250 Grab Bar
- 5. 860890-WL Water Door
- 6. 350132 Jets
- 7. 760602 Blower Motor-Aqua Aire
- 8. 760500 Load Center
- 9. 760560 Comfort Warm Control





# Tempering Valve Adjustment

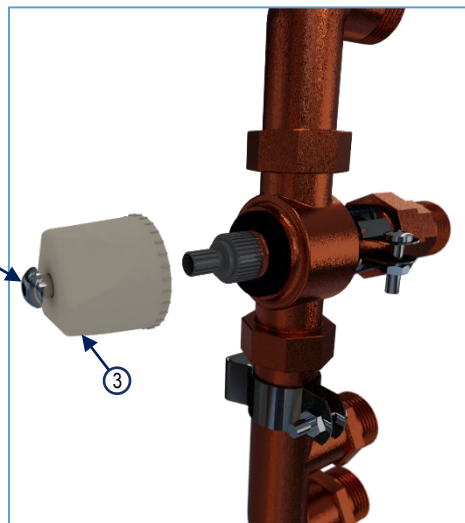
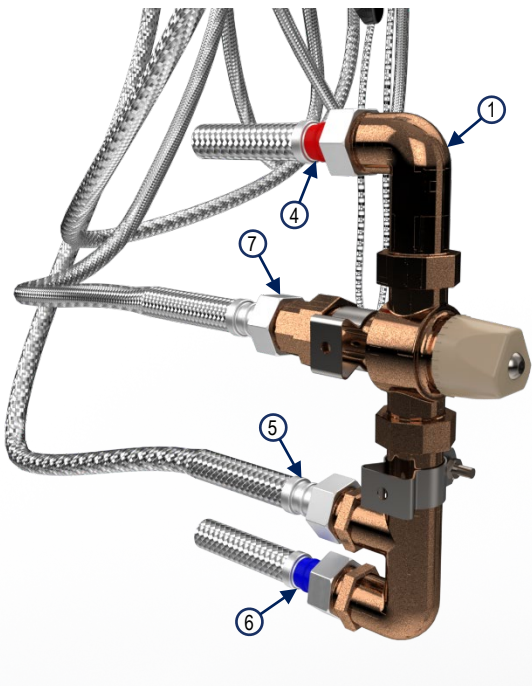
## Max "Hot" Temperature Adjustment

860748 Rev B 8-22-2022

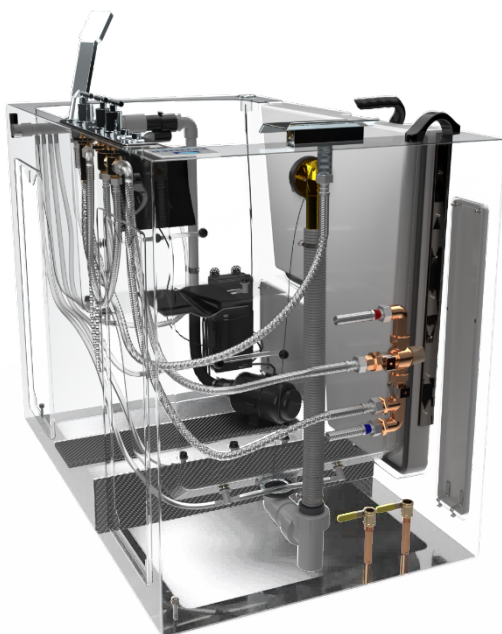
1-800-732-0717

www.pennerbathing.com

1-866-736-6377



- |                    |  |
|--------------------|--|
| 1. 760200          | Tempering Valve                            |
| 2. Allen Screw     | Allen Wrench supplied with valve           |
| 3. Adjustment Cap  | Partially remove, used as adjustment tool. |
| 4. "Hot" Supply    | 3/4" NPT Supply inlet                      |
| 5. "Cold" Delivery | 3/4" NPT Delivery outlet                   |
| 6. "Cold" Supply   | 3/4" NPT Supply inlet                      |
| 7. "Hot" Delivery  | 3/4" NPT Delivery outlet                   |

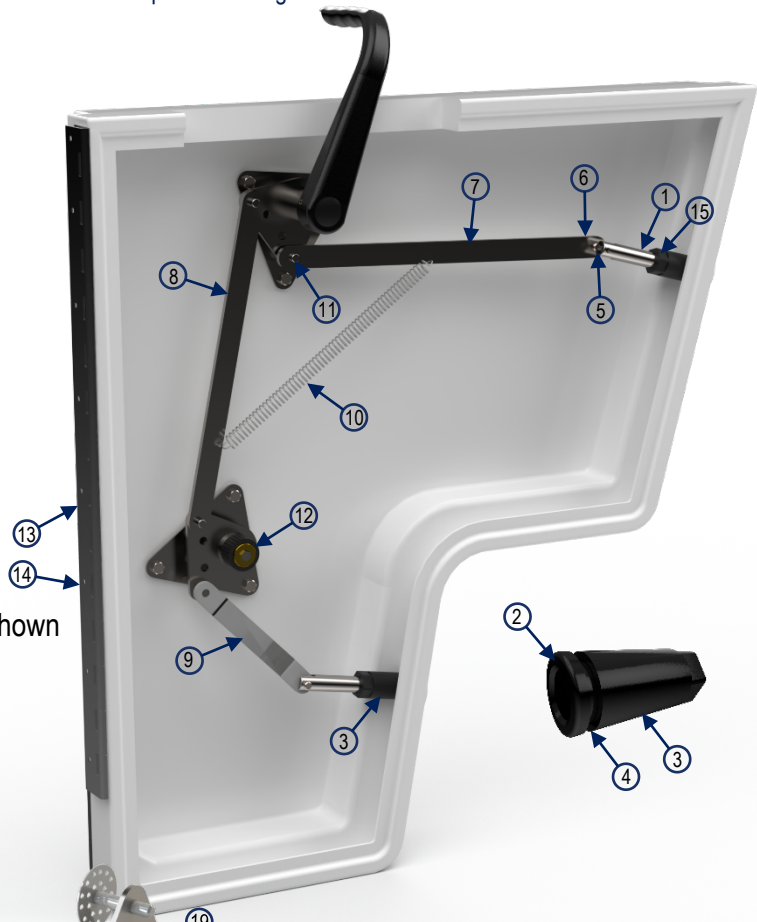


### Tempering Valve Adjustment Procedure

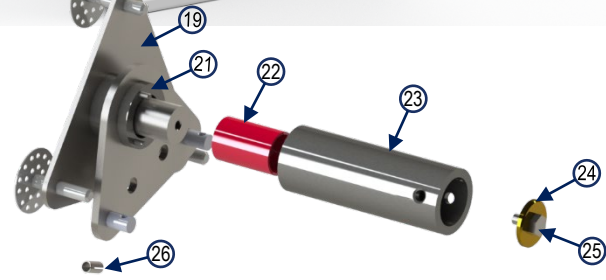
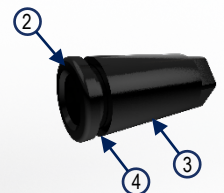
To adjust the max hot temperature, use the provided Allen wrench to remove screw from cap of tempering valve. Take cap part way off valve so only inner splines of cap make contact with brass splines of valve. Rotate cap clockwise to decrease hot water temperature. Rotate cap counterclockwise to increase hot water temperature. This is done looking at the face of the cap as mounted on the tempering valve. Valve is set to 110F° at the factory for maximum hot temperature.

**Note:** A little turn can make a big temperature adjust. Make sure to test temp to avoid scalding. Using a known good temperature gauge and to verify let water run on wrist. 5





- 1. 760300 Lock Pin (Qty 2)
- 2. 760255 Bushing-Pin (Qty 2)
- 3. 760260 Nut-Pin Bushing Long (Qty 2)
- 4. 760258 O-ring (Qty 2)
- 5. 760425 Clevis Pin 1/4" x 1" SS (Qty 2)
- 6. 760465 Cotter Pin 3/32" x 1/2" SS (Qty 2)
- 7. 860334 Upper Push Bar
- 8. 760330 Vertical Linkage
- 9. 760328 Lower Push Bar
- 10. 360435 Spring
- 11. 360465 Cotter Pin 5/32" x 1" SS (Qty 4) Not Shown
- 12. 760400 Spacer-Lower Hub
- 13. 760335 Hinge
- 14. 760338 Hinge Screw (Qty 16)
- 15. 360125 Water Door Seal



- 19. 760321 Spindle Plate
- 20. 107001 Nut-1/4" x 20 (Qty 3) Not Shown
- 21. 760320 Hub Assembly-Top
- 22. 760275 Spindle Bushing
- 23. 860290 Hub Top-Outer (Includes Dowels Pins 760440 (Qty 2) and 760445 (Qty 1))
- 24. 360475 Washer-Retaining
- 25. 200700 Head Cap Screw 1/4"-20 x 1/2"
- 26. 760310 Roll Pin 1/4" x 1/2" (Qty 2)



# TheraSpa External Door Components

## Parts and Service Manual

860748 Rev B 8-22-2022

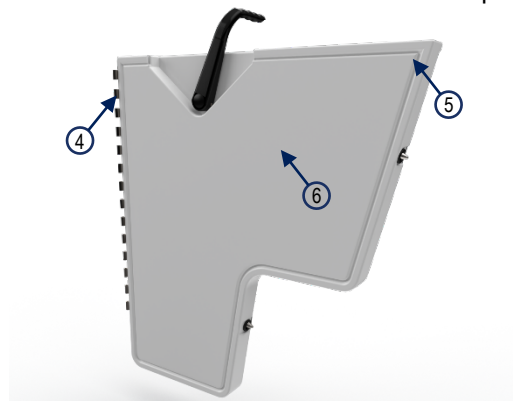
1-800-732-0717

www.pennerbathing.com

1-866-736-6377



- 1. 760297 Door Handle
- 2. 760492 Snap Cap
- 3. 760310 Roll Pins (Qty 2)
- 4. 760335 Door Hinge
- 5. 760338 Cover Screw (Qty 6-Not Shown)
- 6. 860896-WL TheraSpa Door Cover



The door assembly can be easily removed from the spa by using a #2 Phillips screwdriver and removing the screws on the spa side hinge leaf.

Front access doors (7&8) can be removed simply by pulling the top portion away from the spa and lifting. Magnets are up top to hold the covers on with clips at the bottom to clamp in place. Rear access doors (9) will use a key that needs to be used to turn the lock. Then pull the top portion away and lift rear access door up to completely remove.



- 7. 860876-W Tall Access Door
- 8. 860881-W Seat Access Door
- 9. 760876-W Optional Rear Access Doors

# Aqua Aire System

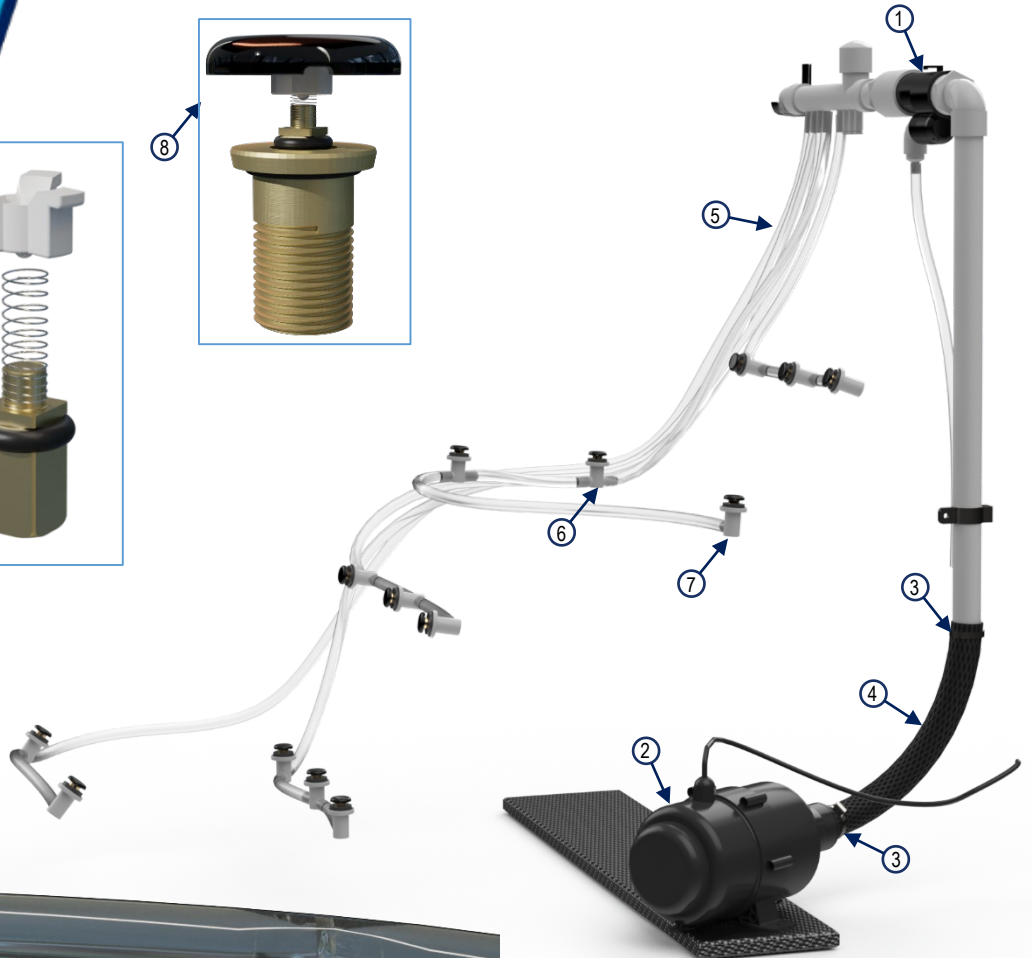
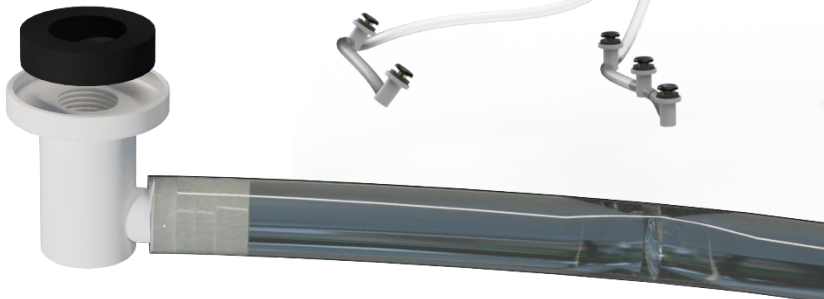
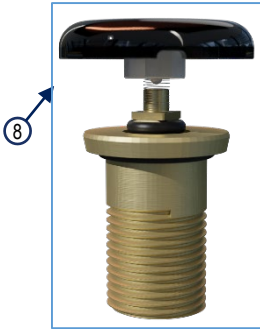
## Air Manifold-Jet Assembly-Blower Motor

860748 Rev B 8-22-2022

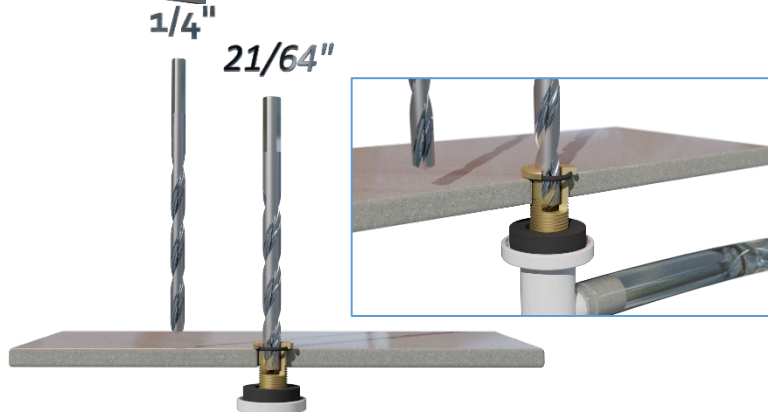
1-800-732-0717

www.pennerbathing.com

1-866-736-6377

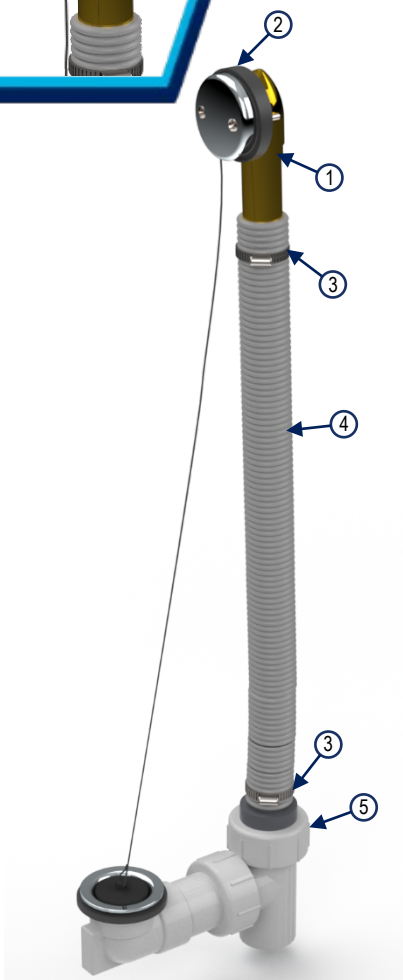


1. 760406 Check Valve Assembly
2. 760602 Blower Motor
3. 590758 Hose Clamps (Qty 2)
4. 360603 Hose Flex
5. 350276 Airline Tubing (Qty 27 feet)
6. 360650 T-Fitting (Qty 8)
7. 360655 90° Fitting (Qty 5)
8. 350132 Jet Assembly
9. 350134 Internal Jet Replacement Kit
10. 360644 Cap-Black Jet

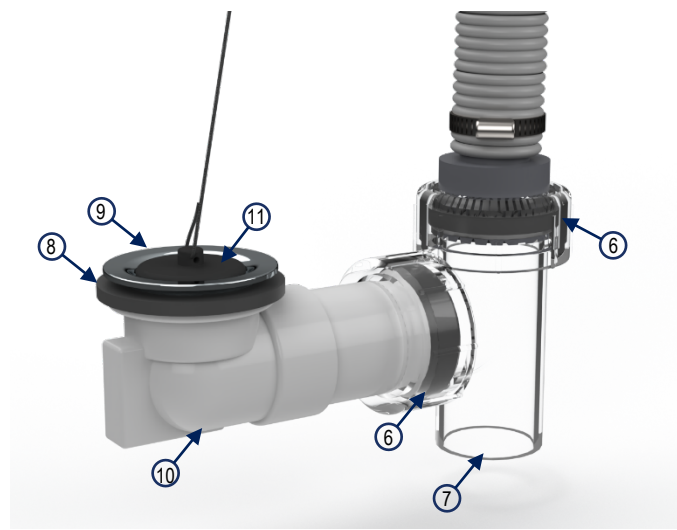


Air Jets can be cleaned from hard build up by using a 21/64 drill bit and a 1/4 drill bit. Run the bits through the jet body after removing the cap and internal check valve components. The 21/64 bit will bottom out on a shoulder in the jet body. The 1/4 bit will run all the way through to the tee fitting. **DO NOT USE POWER TOOLS.** Run drill bits by hand.

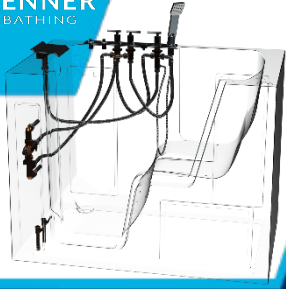




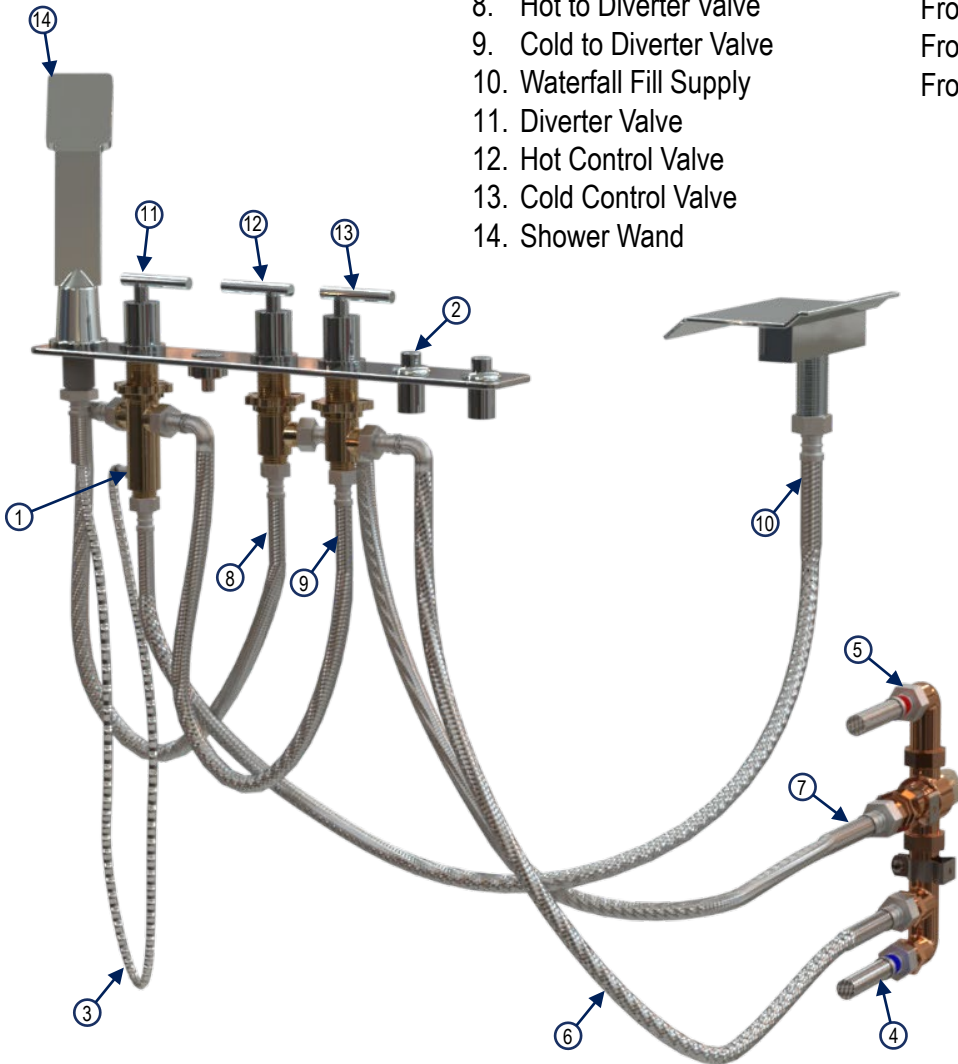
- |     |         |                                    |
|-----|---------|------------------------------------|
| 1.  | 350174  | Overflow tube                      |
| 2.  | 350173  | Beveled rubber washer              |
| 3.  | 590758  | Hose clamp                         |
| 4.  | 390410  | Hose-Grey overfill                 |
| 5.  | 1050481 | Nut 2" slip joint (Qty 2)          |
| 6.  | 1050501 | Washer 2" Rubber Slip Joint (Qty2) |
| 7.  | 1050461 | Tee-Drain New Plastic              |
| 8.  | 1050345 | Washer 1 7/8"x2" Rubber            |
| 9.  | 1050401 | Base Shoe Basket, Chrome           |
| 10. | 140365  | Base Shoe Assembly                 |
| 11. | 350169  | Drain Plug                         |
| 12. | 140370  | Removal Tool-Chrome Basket         |



A removal tool may be ordered to tighten or loosen Base Shoe Basket from Base Shoe Assembly. DO NOT overtighten as this may cause the Base Shoe Assembly to crack and create leaks.



- |                                   |                                     |
|-----------------------------------|-------------------------------------|
| 1. 760545                         | Washer-Shower hose connection       |
| 2. 760495                         | Air Push Button (for Blower motor)  |
| 3. 760158                         | Shower Hose                         |
| 4. 390100                         | Cold Main Supply 3/4"line-72"length |
| 5. 390100                         | Hot Main Supply 3/4"line-72"length  |
| 6. Cold Valve supply              | From Temper Valve to Cold Valve     |
| 7. Hot Supply (Temper Controlled) | From Temper Valve to Hot Valve      |
| 8. Hot to Diverter Valve          | From Hot Valve to Diverter Valve    |
| 9. Cold to Diverter Valve         | From Cold Valve to Diverter Valve   |
| 10. Waterfall Fill Supply         | From Diverter Valve to Fill Spigot  |
| 11. Diverter Valve                |                                     |
| 12. Hot Control Valve             |                                     |
| 13. Cold Control Valve            |                                     |
| 14. Shower Wand                   |                                     |



# Load Center-Spa Control

## Load Center-Comfort Warm System

860748 Rev B 8-22-2022

1-800-732-0717

www.pennerbathing.com

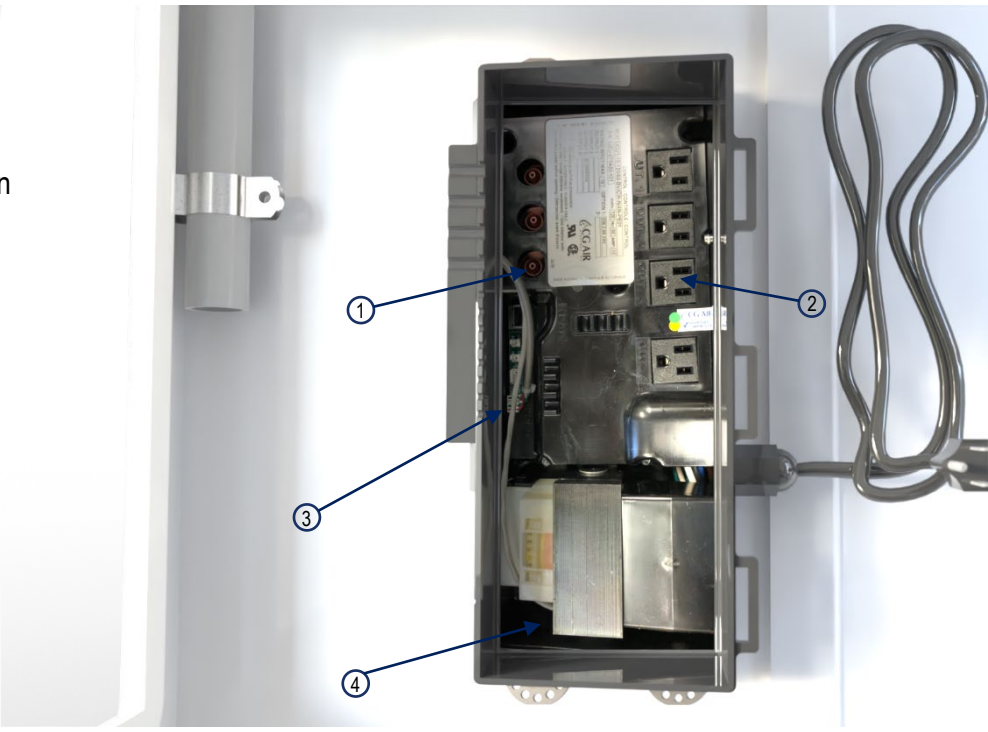
1-866-736-6377

### Load Center 760500

The Load Center is a no repair item. If it has been determined that the load center is at fault, replacement of the unit will be necessary. Open the lid, disconnect the air line, blower motor supply, Comfort Warm power supply and then use a 3/8" nut driver to take off the nuts (350955) to remove the unit.



1. Air Switch air line connection
2. Air Blower Motor Connection #3
3. Comfort Warm Keypad Connection
4. Comfort Warm power supply



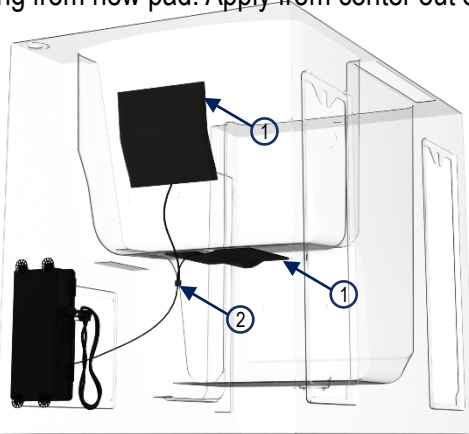
### Comfort Warm System

The Comfort Warm keypad controls three levels of heat. Pushing the button repeatedly will cycle through the different levels of heat with the first push being the hottest and the fourth turning the Comfort Warm off. They will also automatically shut off after 30min.

Heating pads are stuck on with a high strength adhesive. If replacing, disconnect wire connections and peel off pad. Clean with an alcohol wipe or non-residue cleaner and peel backing from new pad. Apply from center out of pad and press firmly. Reconnect wires. Do not remove white insulation backing.



Keypad  
760560



1. Heating Pad  
760550
2. Cable-Split  
760555



# TheraSpa

## Aqua-Aire Home Bathing Spa

860748 Rev B 8-22-2022

1-800-732-0717

[www.pennerbathing.com](http://www.pennerbathing.com)

1-866-736-6377

Your Penner Distributor and personnel are trained to provide in-service instruction and maintenance on your TheraSpa System. If you have any questions about the operation or maintenance of your TheraSpa, please contact your Penner Distributor. For you nearest Penner Distributor, Contact:

Penner Patient Care

101 Grant St

Aurora, NE 68818

Service help call 1-800-732-0717 or 1-866-736-6377

[www.pennerbathing.com](http://www.pennerbathing.com)