

# Dream Spa

## Parts and Service Manual

760748 Rev D 8-22-2022

1-800-732-0717

[www.pennerbathing.com](http://www.pennerbathing.com)

1-866-736-6377



# PENNER

## BATHING

*Bathing Solutions for Every Need*

Penner Patient Care  
101 Grant St  
Aurora, NE 68818  
Service help call 1-800-732-0717 or 1-866-736-6377  
[www.pennerbathing.com](http://www.pennerbathing.com)



- 2. Table Of Contents**
- 3. Dream Spa Operational Controls**
- 4. Internal Spa Front View**
- 5. Tempering Valve Adjustment**
- 6. Dream Water Door Internals**
- 7. Dream Water Door External Components**
- 8. Aqua-Aire System**
- 9. Drain Components**
- 10. Plumbing Supply**
- 11. Load Center**
- 11. Comfort Warm System**



# Operation Controls Parts and Service Manual

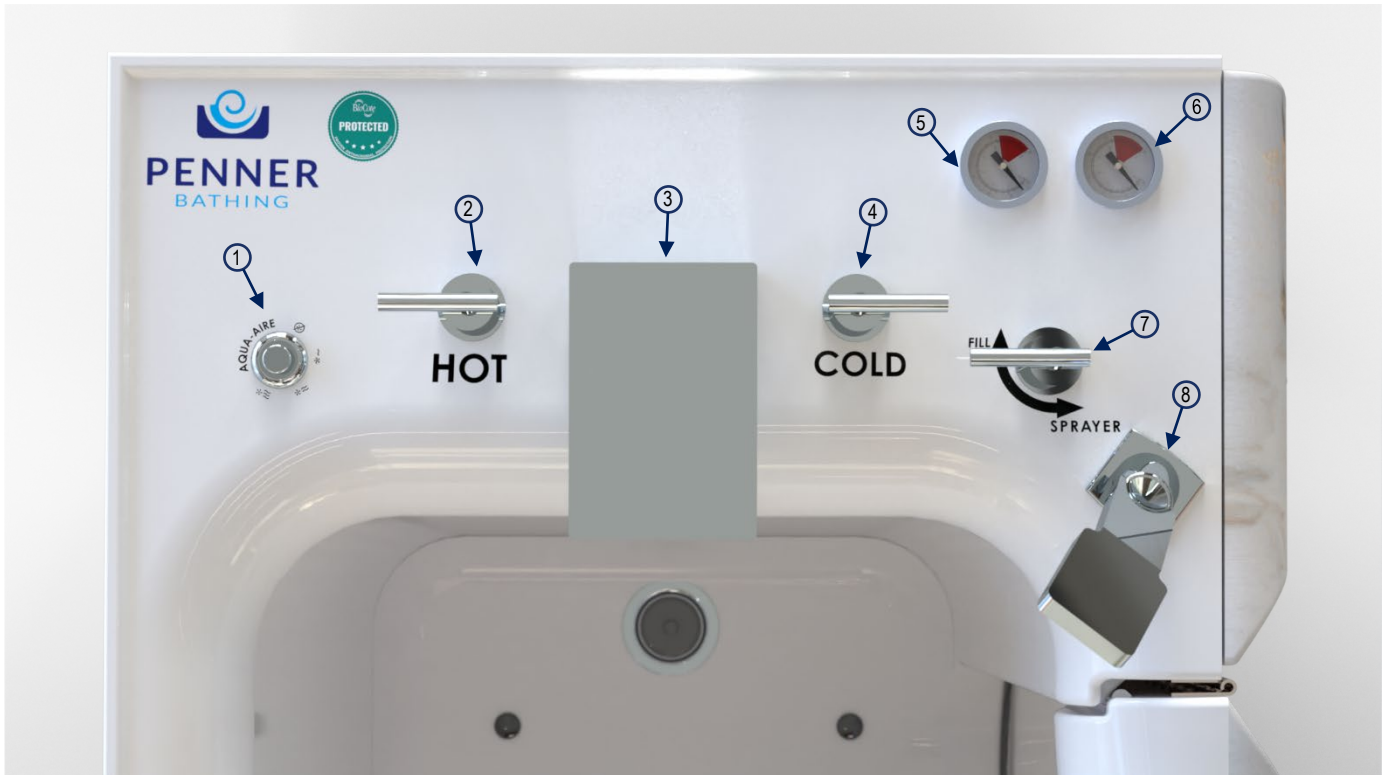
760748 Rev D 8-22-2022

1-800-732-0717

www.pennerbathing.com

1-866-736-6377

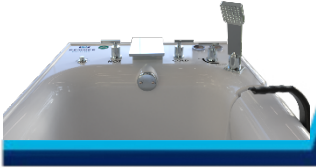
- |              |   |
|--------------|---|
| 1. 760495    | Blower Motor Air Switch                       |
| 2. 760150    | Hot Temperature Valve-Kit                     |
| 3. 760150    | Fill Spigot-Kit                               |
| 4. 760150    | Cold Temperature Valve-Kit                    |
| 5. 760535    | Tub Fill Temperature Gauge (Comm. Only)       |
| 6. 760535    | Shower Sprayer Temperature Gauge (Comm. Only) |
| 7. 760150    | Diverter Valve-Kit                            |
| 8. 760156    | Shower Sprayer                                |
| 9. 760720-3  | Label "Diverter"                              |
| 10. 760720-4 | Spa "Hot"                                     |
| 11. 760720-5 | Spa "Cold"                                    |



Penner Patient Care  
101 Grant St  
Aurora, NE 68818

Service help call 1-800-732-0717 or 1-866-736-6377

www.pennerbathing.com



Components of spa are referenced in relation to the front of the spa. The front of the spa is as a person sits in the spa facing the controls.



- |           |   |
|-----------|---|
| 1. 350172 | Overflow Escutcheon                                       |
| 2. 350391 | Drain Screen  |
| 3. 350169 | Drain Plug  |
| 4. 560250 | Grab Bar  |
| 5. 760890 | Water Door Assembly                                       |
| 6. 350132 | Jets  |
| 7. 360350 | Post-Safety belt loop (Comm. Only)                        |
| 8. 360355 | Rod-Safety belt loop (Comm. Only)                         |
| 9. 400212 | Safety Belt (Fastening Procedure shown below)(Comm. Only) |

Seat belt fastening steps shown.





# Tempering Valve Adjustment

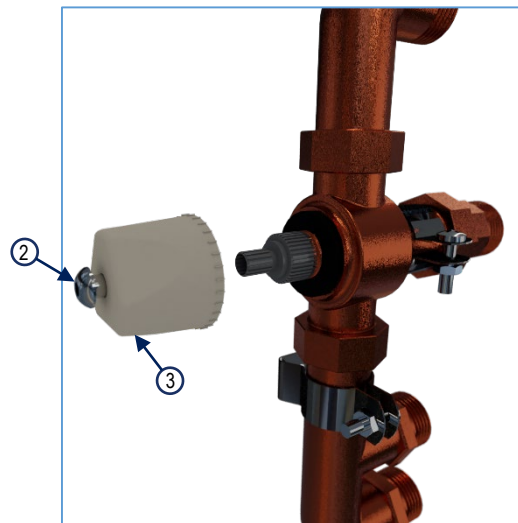
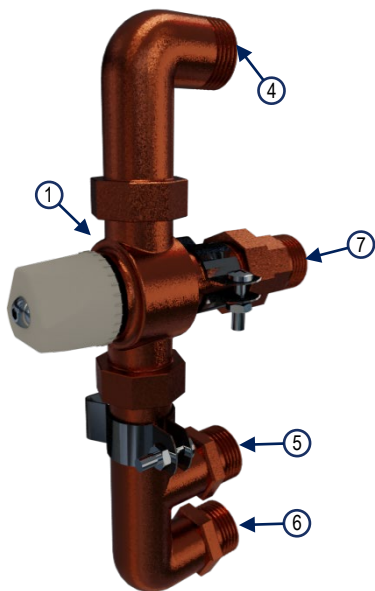
## Max "Hot" Temperature Adjustment

760748 Rev D 8-22-2022

1-800-732-0717

www.pennerbathing.com

1-866-736-6377



1. 760200
2. Allen Screw
3. Adjustment Cap
4. "Hot" Supply
5. "Cold" Supply
6. "Cold" Supply
7. Delivery

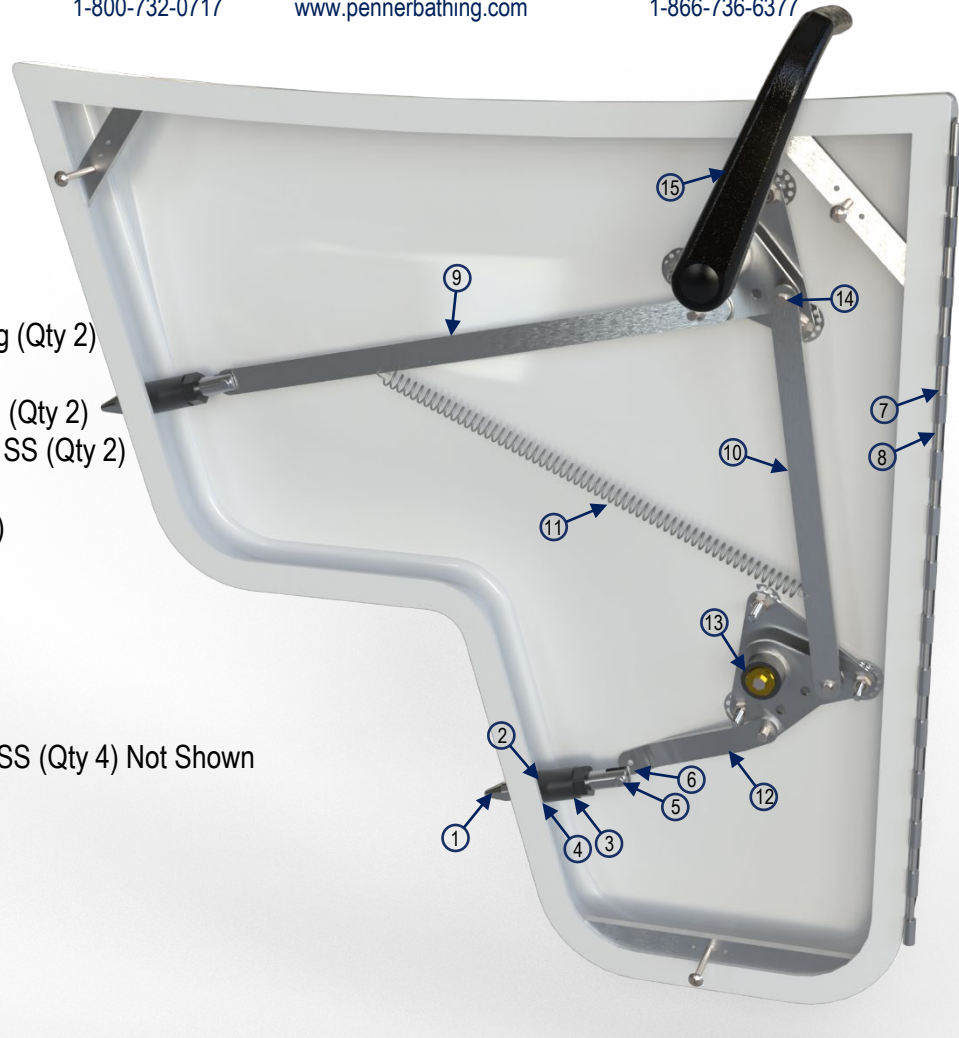
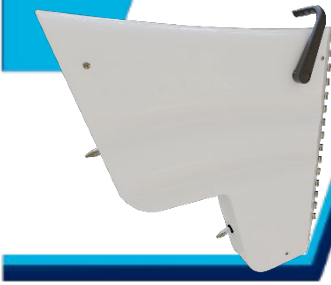
- Tempering Valve  
 Allen Wrench supplied with valve  
 Partially remove, used as adjustment tool.  
 $\frac{3}{4}$ " NPT Supply inlet  
 $\frac{3}{4}$ " NPT Supply inlet  
 $\frac{3}{4}$ " NPT Supply inlet  
 $\frac{3}{4}$ " NPT Delivery outlet



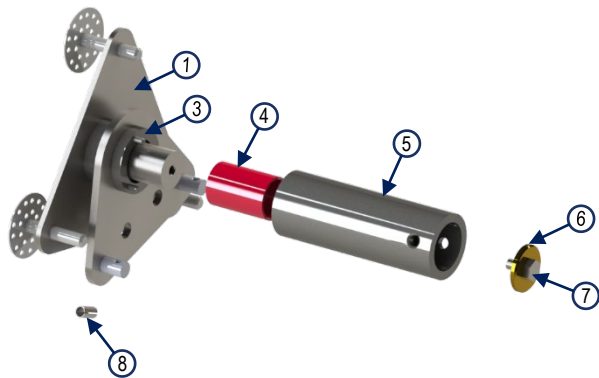
### Tempering Valve Adjustment Procedure

To adjust the max hot temperature, use the provided Allen wrench to remove screw from cap of tempering valve. Take cap part way off valve so only inner splines of cap make contact with brass splines of valve. Rotate cap clockwise to decrease hot water temperature. Rotate cap counterclockwise to increase hot water temperature. This is done looking at the face of the cap as mounted on the tempering valve.

**Note:** A little turn can make a big temperature adjust. Make sure to test temp to avoid scalding. Using a known good temperature gauge and to verify let water run on wrist.



- 1. 760300 Lock Pin (Qty 2)
- 2. 760255 Bushing-Pin (Qty 2)
- 3. 760260 Nut-Pin Bushing Long (Qty 2)
- 4. 760258 O-ring (Qty 2)
- 5. 760425 Clevis Pin 1/4" x 1" SS (Qty 2)
- 6. 760465 Cotter Pin 3/32" x 1/2" SS (Qty 2)
- 7. 760335 Hinge
- 8. 760338 Hinge Screw (Qty 16)
- 9. 760326 Upper Push Bar
- 10. 760330 Vertical Push Link
- 11. 360435 Spring
- 12. 760328 Lower Push Link
- 13. 760400 Spacer-Lower Hub
- 14. 360465 Cotter Pin 5/32" x 1" SS (Qty 4) Not Shown
- 15. 760297 Handle-Dream Spa



- 1. 760321 Spindle Plate
- 2. 107001 Nut-1/4" x 20 (Qty 3) Not Shown
- 3. 760320 Hub Assembly-Top
- 4. 760275 Spindle Bushing
- 5. 760287 Hub Top-Outer (Includes Dowels Pins 760440 (Qty 2) and 760445 (Qty 1))
- 6. 360475 Washer-Retaining
- 7. 200700 Head Cap Screw 1/4"-20 x 1/2"
- 8. 760310 Roll Pin 1/4" x 1/2" (Qty 2)



Fascia Removal Video

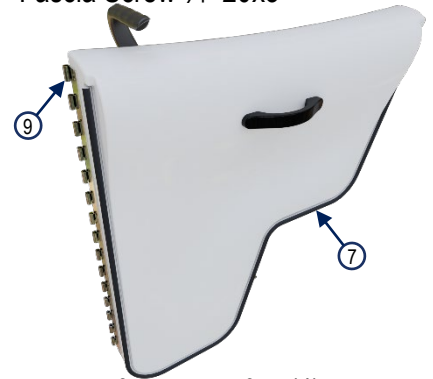
1-800-732-0717

www.pennerbathing.com

1-866-736-6377

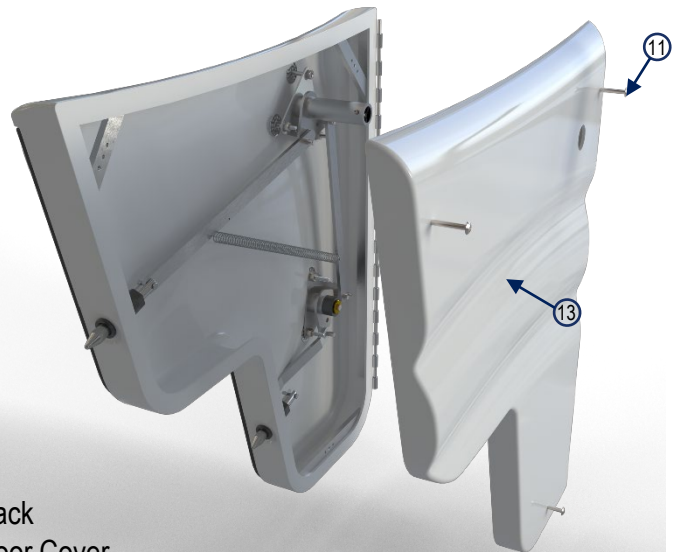


- |            |                           |
|------------|---------------------------|
| 1. 760297  | Door Handle               |
| 2. 760492  | Snap Cap                  |
| 3. 200700  | ¼"-20x1/2" Head Cap Screw |
| 4. 360475  | Brass Retaining Washer    |
| 5. 360480  | Spacer Ring               |
| 6. 760310  | Roll Pins (Qty 2)         |
| 7. 360125  | Door Seal                 |
| 8. 360125K | Door Seal Replacement Kit |
| 9. 760335  | Door Hinge                |
| 10. 760338 | Hinge Screw (Qty 16)      |
| 11. 760220 | Fascia Screw ¼"-20x3"     |



The door assembly can be easily removed from the spa by using a #2 Phillips screwdriver and removing the screws on the spa side hinge leaf.

Both fascia pieces can be taken off by removing the screws. Two(2) screws on the smaller fascia and four(4) on the larger fascia. The door fascia has three, ¼"-20x3" stainless truss head screws. To remove this cover, pop out the snap cap on the handle and using a 7/16" socket and extension you can remove the retaining screw. This allows the handle and hub to slide out of the door. Now the three screws on the fascia can be removed for access to inside of water door.



- |              |                   |
|--------------|-------------------|
| 12. 760896-C | Fascia-Back       |
| 13. 760894-C | Fascia-Door Cover |
| 14. 760898-C | Fascia-Front      |

# Aqua Aire System

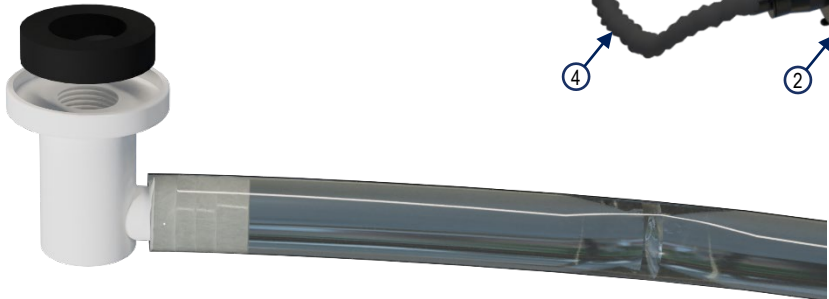
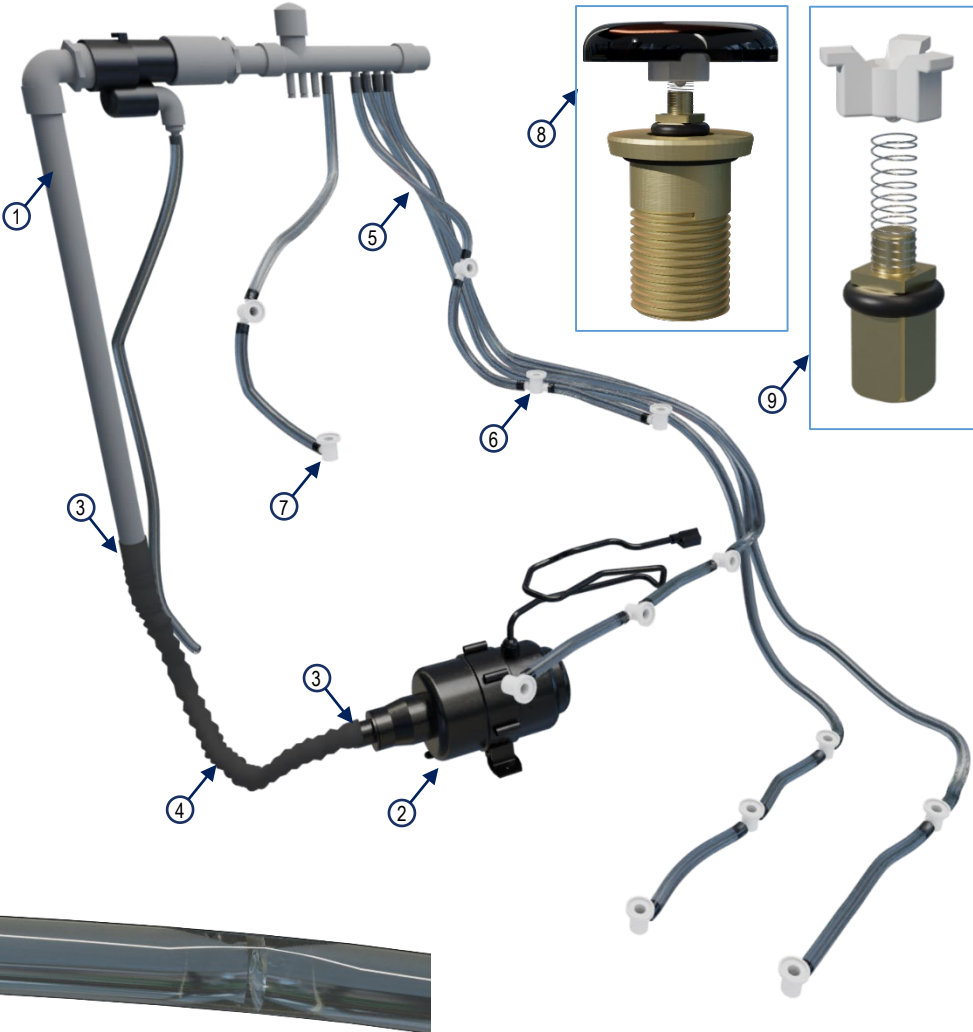
## Air Manifold-Jet Assembly-Blower Motor

760748 Rev D 8-22-2022

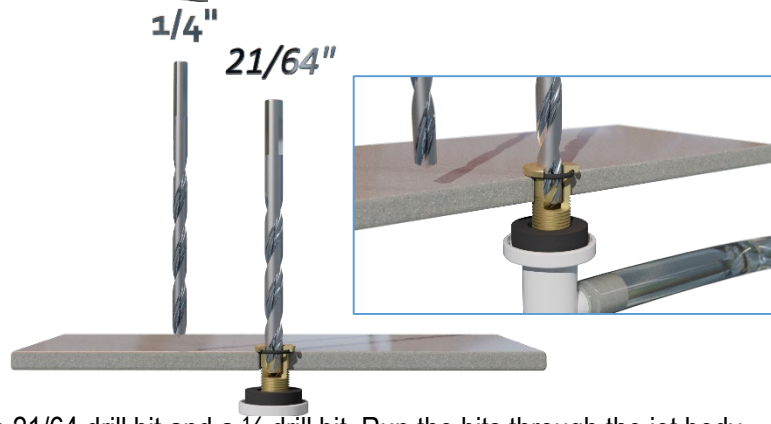
1-800-732-0717

www.pennerbathing.com

1-866-736-6377

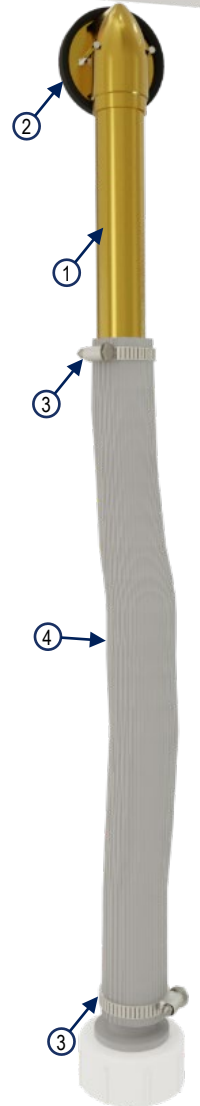
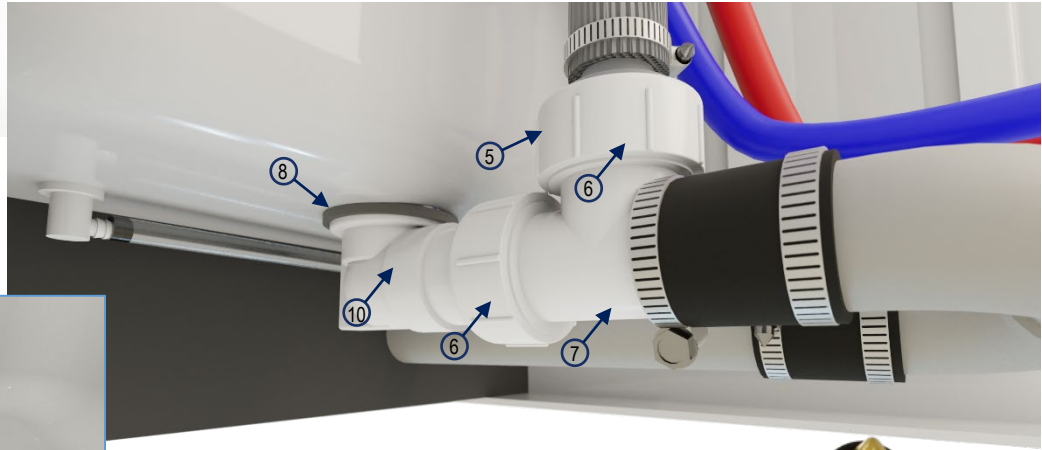


- 1. 760406 Check Valve Assembly
- 2. 760602 Blower Motor
- 3. 590758 Hose Clamps (Qty 2) Not shown
- 4. 360603 Hose Flex
- 5. 350276 Airline Tubing (Qty 27 feet)
- 6. 360650 T-Fitting (Qty 8)
- 7. 360655 90° Fitting (Qty 5)
- 8. 350132 Jet Assembly
- 9. 350134 Internal Jet Replacement Kit
- 10. 360644 Cap-Black Jet



Air Jets can be cleaned from hard build up by using a 21/64 drill bit and a 1/4 drill bit. Run the bits through the jet body after removing the cap and internal check valve components. The 21/64 bit will bottom out on a shoulder in the jet body. The 1/4 bit will run all the way through to the tee fitting. **DO NOT USE POWER TOOLS.** Run drill bits by hand.





- |            |  |
|------------|--|
| 1. 350174  | Overflow tube                                |
| 2. 350173  | Beveled rubber washer                        |
| 3. 590758  | Hose clamp                                   |
| 4. 390410  | Hose-Grey overfill                           |
| 5. 1050481 | Nut 2" slip joint (Qty 2)                    |
| 6. 1050501 | Washer 2" Rubber Slip Joint (Qty2) Not shown |
| 7. 1050461 | Tee-Drain New Plastic                        |
| 8. 1050345 | Washer 1 7/8"x2" Rubber                      |
| 9. 1050401 | Base Shoe Basket, Chrome                     |
| 10. 140365 | Base Shoe Assembly                           |
| 11. 140370 | Removal Tool-Chrome Basket                   |



A removal tool may be ordered to tighten or loosen Base Shoe Basket from Base Shoe Assembly. DO NOT overtighten as this may cause the Base Shoe Assembly to crack and cause leaks.



# Plumbing-Supply

## Parts and Service Manual

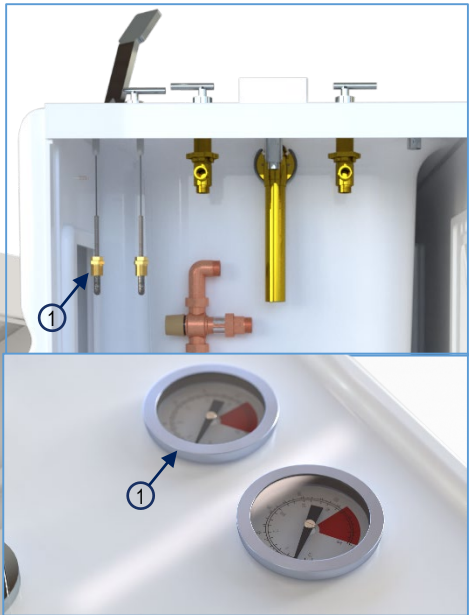
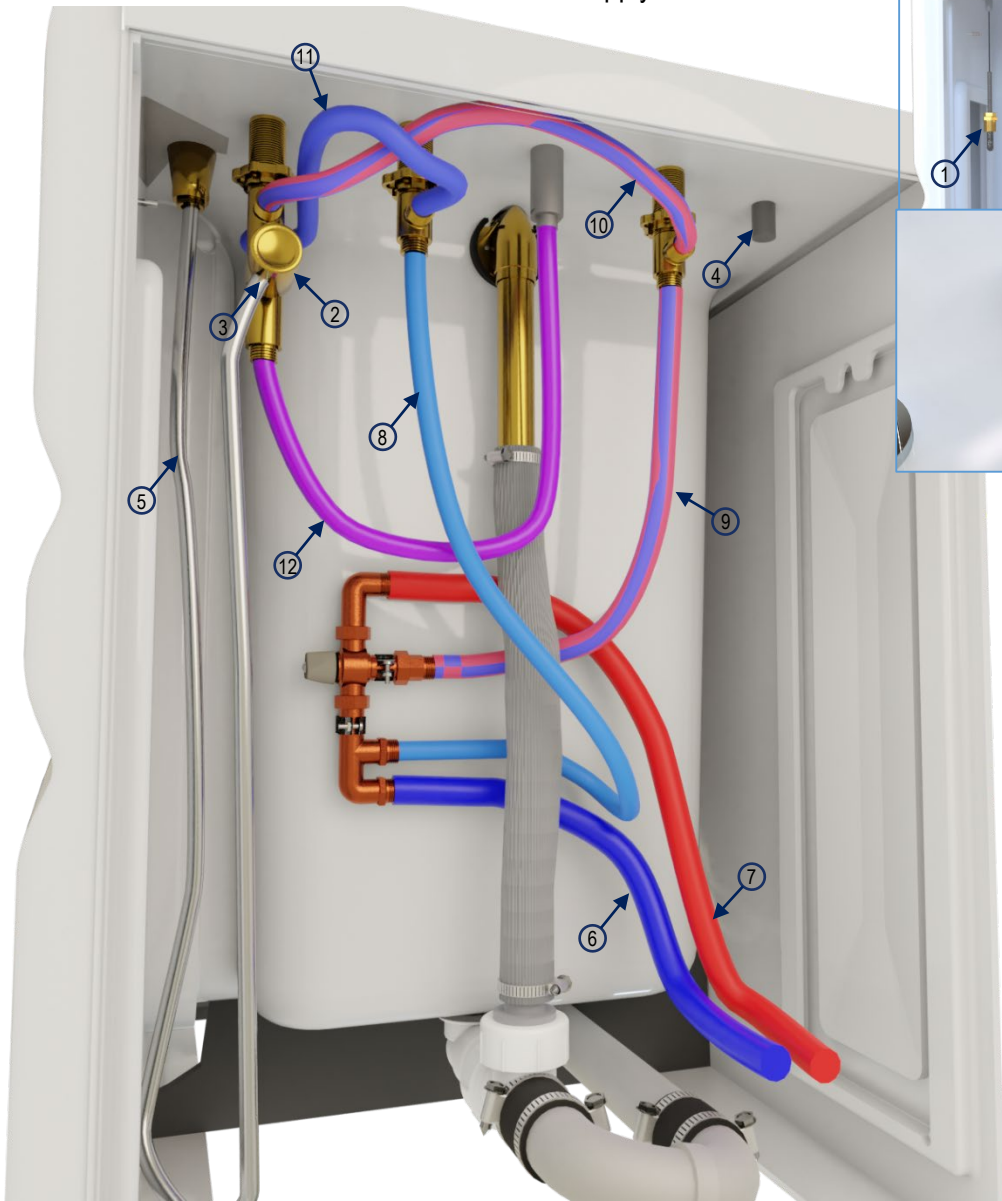
760748 Rev D 8-22-2022

1-800-732-0717

www.pennerbathing.com

1-866-736-6377

- |                                   |  |
|-----------------------------------|--|
| 1. 760535                         | Thermometers (Commercial use only Qty 2)       |
| 2. 760540                         | Adaptor (Commercial use only-for thermometers) |
| 3. 760545                         | Washer-for adaptor(760540) and shower hose     |
| 4. 760495                         | Air Push Button (for Blower motor)             |
| 5. 760158                         | Shower Hose                                    |
| 6. 390100                         | Cold Main Supply 3/4"line-72"length            |
| 7. 390100                         | Hot Main Supply 3/4"line-72"length             |
| 8. Cold Valve supply              |  |
| 9. Hot Supply (Temper Controlled) |  |
| 10. Hot to Diverter Valve         |  |
| 11. Cold to Diverter Valve        |  |
| 12. Waterfall Fill Supply         |  |



# Load Center-Spa Control

## Load Center-Comfort Warm System

760748 Rev D 8-22-2022

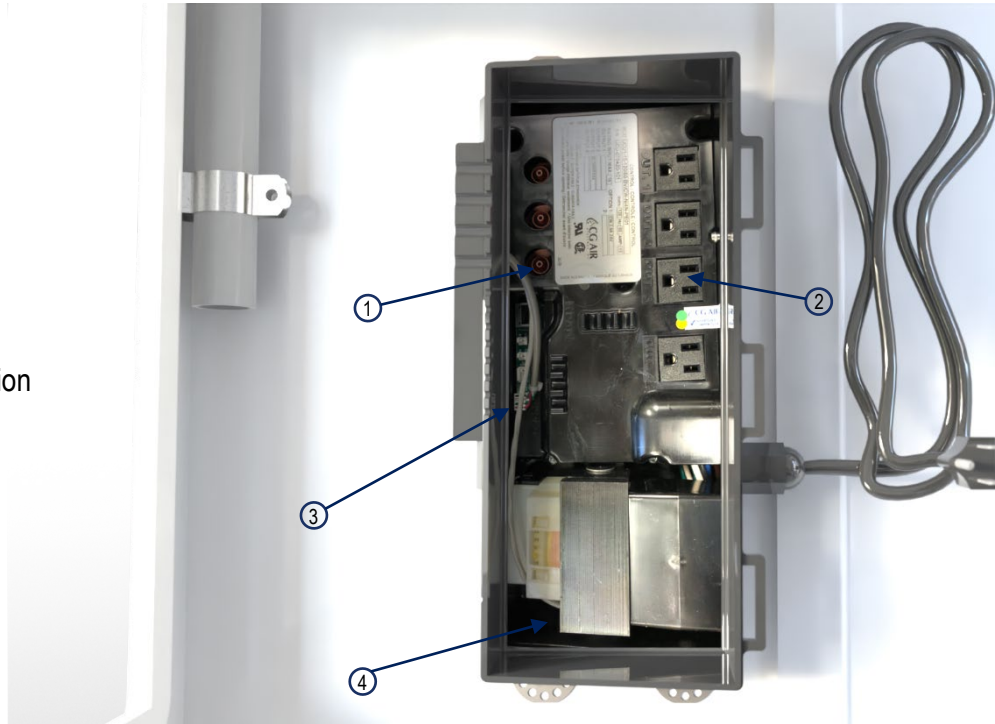
1-800-732-0717

www.pennerbathing.com

1-866-736-6377

### Load Center 760500

The Load Center is a no repair item. If it has been determined that the load center is at fault, replacement of the unit will be necessary. Open the lid, disconnect the air line, blower motor supply, Comfort Warm power supply and then use a 3/8" nut driver to take off the nuts (350955) to remove the unit.



1. Air Switch air line connection
2. Air Blower Motor Connection #3
3. Comfort Warm Keypad Connection
4. Comfort Warm power supply

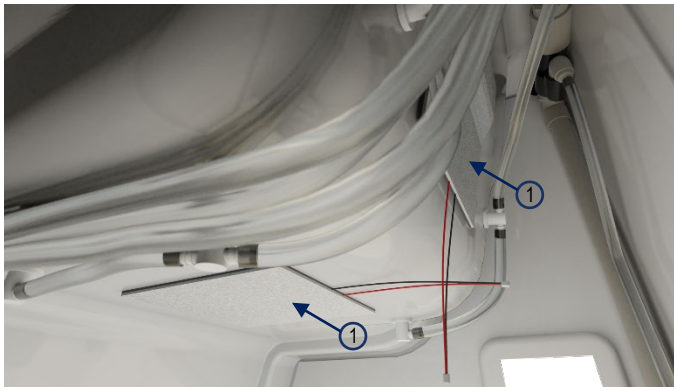
### Comfort Warm System

The Comfort Warm keypad controls three levels of heat. Pushing the button repeatedly will cycle through the different levels of heat with the first push being the hottest and the fourth turning the Comfort Warm off. They will also automatically shut off after 30min.

Heating pads are stuck on with a high strength adhesive. If replacing, disconnect wire connections and peel off pad. Clean with an alcohol wipe or non-residue cleaner and peel backing from new pad. Apply from center out of pad and press firmly. Reconnect wires. Do not remove white insulation backing.



1. Keypad 760560



1. Heating Pad 760550
2. Cable-Split 760555 (Not Shown)



# Dream Spa

## Aqua-Aire Home Bathing Spa

760748 Rev D 8-22-2022

1-800-732-0717

[www.pennerbathing.com](http://www.pennerbathing.com)

1-866-736-6377



Your Penner Distributor and personnel are trained to provide in-service instruction and maintenance on your Dream Spa System. If you have any questions about the operation or maintenance of your Dream Spa, please contact your Penner Distributor. For you nearest Penner Distributor, Contact:

Penner Patient Care

101 Grant St

Aurora, NE 68818

Service help call 1-800-732-0717 or 1-866-736-6377

[www.pennerbathing.com](http://www.pennerbathing.com)