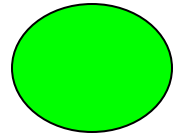




PENNER MANUFACTURING



## **Recumbent Height-Adjustable Bath System 9700 & Still Bath Installation / Assembly Instructions**



***PENNER MANUFACTURING, INC***

***Box 523 / 102 Grant St.***

***Aurora, NE 68818***

**1-866-PENNERS**

**1-866-736-6377**

**1-800-732-0717**

**390745 Revision C 03/01/2008**

***E-mail Address: [pennersales@hamilton.net](mailto:pennersales@hamilton.net)***

**Pacific Recumbent Height  
Adjustable Bath**

## Table of Contents

<b>Table of Contents</b>	<b>2</b>
<b>Introduction</b>	<b>3</b>
<b>Terminology and Symbols Meanings</b>	<b>3</b>
<b>Room Size Requirements</b>	<b>4</b>
<b>Hot &amp; Cold Water Supply Requirements</b>	<b>4</b>
<b>Rough-In Requirements</b>	<b>5</b>
<b>Pacific Bath Aqua-Aire Controls &amp; Descriptions</b>	<b>6</b>
<b>Pacific Bath Still Bath Controls &amp; Descriptions</b>	<b>7</b>
<b>Unpacking and Assembling the Pacific Bath</b>	<b>8</b>
<b>Electrical Requirements</b>	<b>15</b>
<b>Electrical Connection of the Pacific Bath</b>	<b>15</b>
<b>Distributor Contact Information</b>	<b>16</b>

## Introduction:

These instructions are for the installation of a Pacific Recumbent Height Adjustable Bathing System 7900 Bath Panel and Bath Shell or Tank. This system is shipped on two pallets. The Pacific Bath Shell or Tank attaches easily to the Pacific Bath Panel. This system is a height adjustable tub.

## Terminology and Symbols Meanings:

When the terms “left” or “right” are used with reference to the tub, this means left or right as you look facing the control panel.



Meaning: Safety warning. Failure to understand and obey this warning may result in injury to you or to others.

### **CAUTION**

Meaning: Failure to follow these instructions may cause damage to parts or systems.

**Note:** Refer to the “Pacific Bath Controls” section of this manual, page 6, for the location of any of the controls referenced.

## Drain Requirements:

The Pacific Bath is equipped with a 1½” (inside) diameter flexible drain tub to enable drain attachment on the floor directly under the tank or route through the panel frame and attach to a wall drain. Figure 2 shows two different options for roughing in the drain pipe – from the floor or from the wall. The rough-in needs to be 1½” (outside diameter).

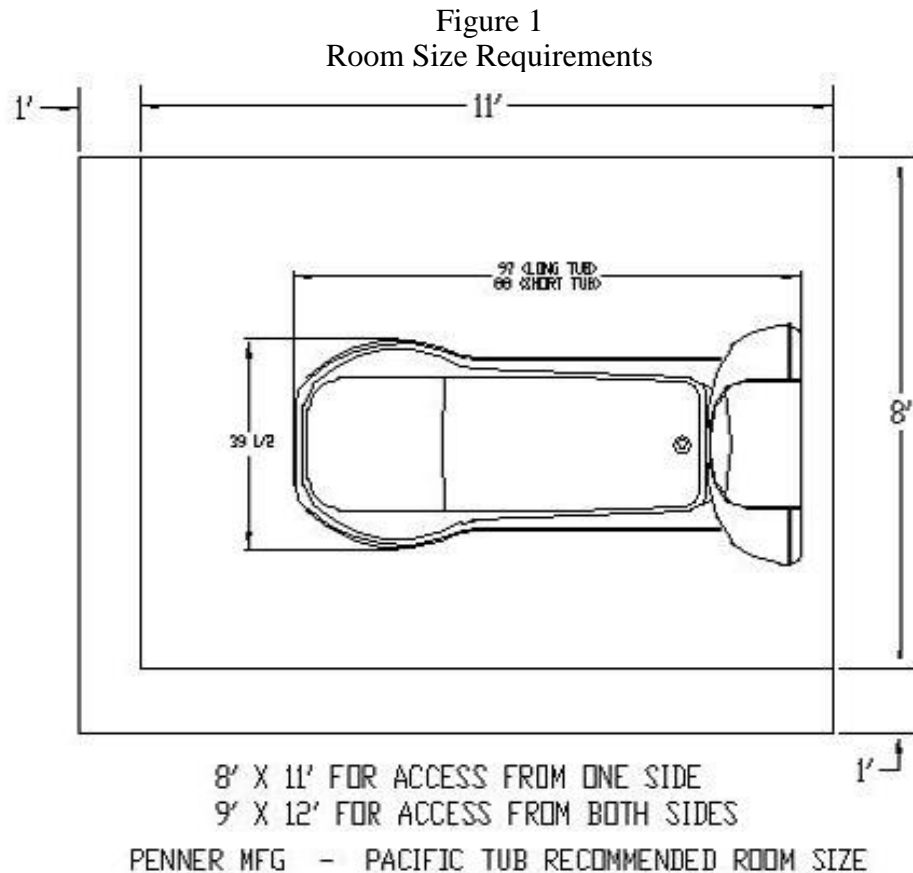
## Suggested Rough-Ins

It is recommended that a licensed plumber make all plumbing connections. The plumber can select the best method of connection for the particular situation.

## Drain Requirements:

## Space Requirements:

See Figure 1 for “Recommended Room Size” requirements



## Hot and Cold Water Supply Requirements:

3/4" supply lines with on/off valves with 3/4" NPT female threads. We recommend 3/4" ball valve with 3/4" NPT female ports. Valves supplied by others. See Figure 2 for recommended locations.

For optimum performance, dynamic pressures should be nominally equal.

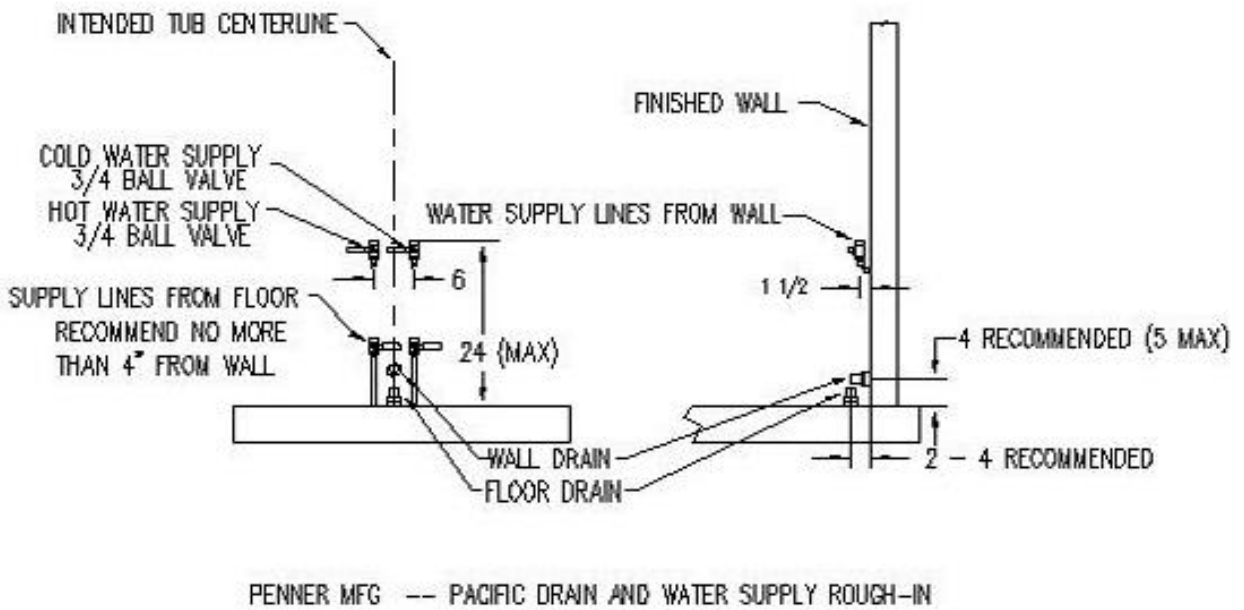
Maximum static supply pressure: 145 PSI.

Maximum dynamic/maintained supply pressure: 81 PSI.

Maximum supply hot water temperature: Consult local requirements for maximum allowed supply temperatures. (Not recommended over 110°F)

# Rough-In Requirements

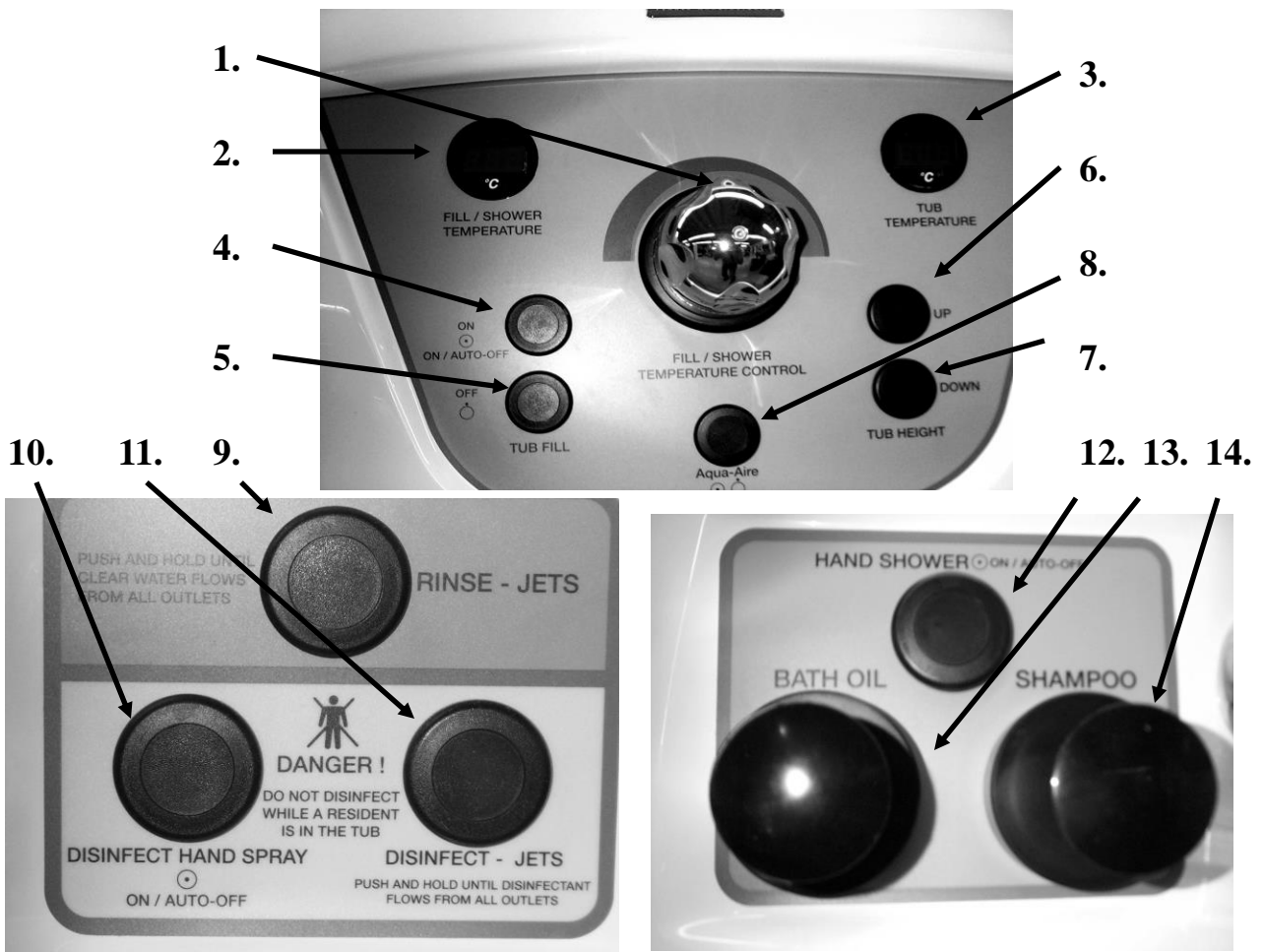
Figure 2  
Recommended water supply rough-in's (wall or floor) and  
drain rough-in's (wall or floor)



## Pacific Bath Control Panels

1. Temperature Control Knob (Fill/Shower)
2. Fill/Shower Water-Temperature Readout
3. Tub-Temperature Readout
4. Tub Fill ON / AUTO OFF Button
5. Tub Fill OFF Button
6. Tub Height Up Button
7. Tub Height Down Button
8. Pump or Aqua-Aire ON/OFF Button
9. Rinse Jets Button (On tubs with Aqua-Aire only, Push and Hold)
10. Disinfect Hand Spray Button (On/Auto Off)
11. Disinfect Jets Button (Push and Hold)
12. Hand Shower On/Auto Off (The unit has an adjustable time automatic shut-off)
13. Bath Oil Pump Plunger
14. Shampoo Pump Plunger

Figure 3, 4 & 5



Pacific Recumbent Height Adjustable Bath

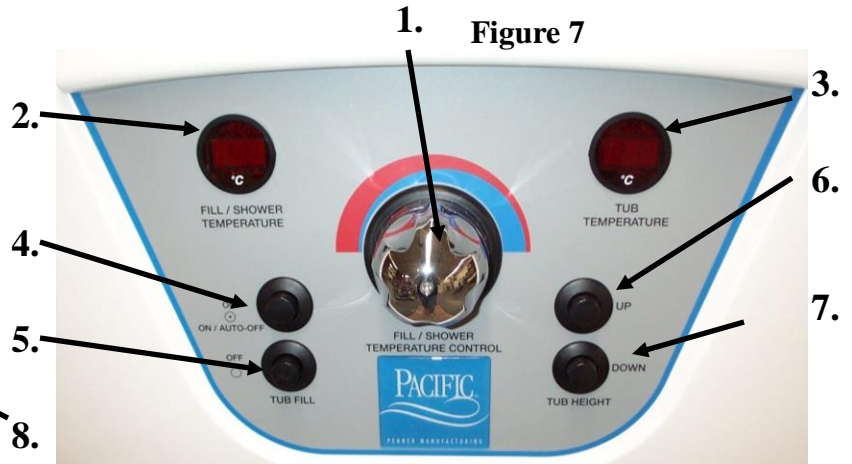
## Pacific Still Bath Control Panels

1. Temperature Control Knob (Fill/Shower)
2. Fill/Shower Water-Temperature Readout
3. Tub-Temperature Readout
4. Tub Fill ON / AUTO OFF Button
5. Tub Fill OFF Button
6. Tub Height Up Button
7. Tub Height Down Button
8. Disinfect Hand Spray Button (On/Auto Off)
9. Hand Shower On/Auto Off (The unit has an adjustable time automatic shut-off)
10. Bath Oil Pump Plunger
11. Shampoo Pump Plunger

Figure 6



Figure 7



10.

Figure 8



Figure 9



## Unpacking and Assembling the Pacific Bath



**IMPORTANT: DO NOT UNCRATE THE PACIFIC PANEL & TUB SHELL BEFORE READING THESE INSTRUCTIONS. FAILURE TO FOLLOW THESE INSTRUCTION COULD RESULT IN AN INJURY TO THE INSTALLER OR DAMAGE TO THE PACIFIC SYSTEM.**

**Note: Your Pacific system is shipped in two separate boxes on pallets labeled Pacific Panel and Tub Shell.**

- 1. Upon receipt of your Pacific System inspect both boxes for externally damaged and evidence of abuse. If any is observed note it on the packing slip and report it to the freight company.**
- 2. Take the cardboard box off of both pallets.**
- 3. The tub shell, when removed from the pallet, is light and can be carried from the pallet into the area of installation. Remove the legs and hardware package included in the tub shell box.**
- 4. The Panel is left on the pallet until located in the area of installation. This pallet is 36" wide and will only fit through a 36" door. Move the pallet, with the Pacific panel on it, to the installation area by using appropriate dollies to avoid damage to the floor.**



**Figures 10 & 11**





## Unpacking and Assembling the Pacific Bath

5. **On the Panel pallet, remove the two wooden plates that secure the panel base to the Pacific pallet and discard. (See Figure 12 below)**

Figure 12



Figure 13



Figure 14



6. **Assemble both legs, extending forward, onto the base of the Pacific panel using the 4 ea. 1/2-13 bolts included in the installation kit. You will need a 3/4" socket for the bolts. (See figure 13 & 14 above)**

## Unpacking and Assembling the Pacific Bath

7. With the Pacific Panel still on the pallet, and the legs installed, two people can easily slide the whole panel forward on the pallet pulling on the legs until the front of the panel base is flush with the front edge of the pallet. Then let the legs rest on the floor by tipping the panel forward. (See figure 15 & 16)

Figure 15 & 16



### **CAUTION:**

**Do not slide the panel too far forward on the pallet. Failure to do so may result in the panel tipping and may damage the unit.**

8. You are now ready to remove the Pacific Panel from the Pallet. You must follow these specific steps to allow the Pacific Panel to power itself off of the pallet.

### **WARNING:**

**⚠ Always have two people to ensure the panel stays stable as it is lowered from the pallet. Failure to follow these instructions could result in an injury to the installers or damage the Pacific System.**

## Unpacking and Assembling the Pacific Bath

9. Connect power to the Pacific Panel by plugging the temporary cord, attached to the panel, into a wall outlet (115 volts AC) as shown in Figure 17 below. **Do not use this cord for permanent connection.**

Figure 17



10. Now press the “UP” button of the Pacific Panel to slightly raise the panel about three inches or just above the lowering fixture. Figure 15
11. Insert the wooden lowering fixture, included in the Pacific Panel box, under the tub shell attachment brackets on the panel. Ensure it is inserted into to bracket underneath the pin of the bracket as far back as possible. Then ensure it is straight vertically. See Figure 17 above.
12. You may lower the Pacific Panel by pressing the “DOWN” button until the tub attachment brackets are only resting on the lowering fixture then stop. See Figure 17 above.
13. Now with one person standing on the leg extensions, press the “DOWN” button on the Pacific Panel again until the panel rises off of the pallet. The second person may then remove the pallet, always having someone to stabilize the Pacific Panel. The Pacific Panel may then be lowered to the floor by pressing the “UP” button. See Figure 18 & 19 on page 12.



### **WARNING:**

There must always be a person standing on the leg extensions at all times ( to prevent tipping ) until the panel is completely lowered to the floor. Failure to do so may result in an injury or damage to the Pacific panel.

## Unpacking and Assembling the Pacific Bath

**Figure 18**



**Figure 19**



**Note: It would be helpful to lower the Pacific Panel legs onto a piece of carpet or something similar to make it easier to reposition the panel to permanent location.**

## Unpacking and Assembling the Pacific Bath

14. **The lowering fixture should now be free to remove and discard once the legs are completely on the floor.**

**Figure 20**



15. **You may now proceed to connect the tub shell to the Pacific Panel as follows:**
  - a. **Open installation kit included in the box of the Pacific Tub shell.**
  - b. **Hook up the power per licensed Electrician.**
  - c. **Remove the skirt from the tub shell after unpacking the tub shell and save the screws.**
  - d. **Use two people to set the hooks of the tub shell onto the attachments brackets on the Pacific Panel.**
  - e. **Place the blue trim around the foot end of the tub shell and trim to fit.**

## Unpacking and Assembling the Pacific Bath

- f. One person is to lift the head end of the tub shell up while the other person inserts 2 each  $\frac{1}{2}$  -13 x 1-1/4” long bolt with lock washer into the tub mounting bracket and tighten.
- g. Insert the thermometer probe into temperature adapter fitting located lower center of the foot end of the tub shell. Probe is to be inserted about 1/8” past the black temperature probe adapter inside of the tub shell and tighten.
- h. Hook up the clear  $\frac{3}{4}$ ” air tube from the Pacific panel to the elbow on the manifold located on the back of the tub shell and tighten the 1-1/4” hose clamp.
- i. Install the drain hose to the drain of the Pacific tub shell using provided hose clamp.
- j. Carefully route drain line as necessary to the desired drain location.
- k. The drain hose may be cut to a desired length after which the inside of the extra adapter cuff must have silicone applied and then screwed onto the cut off end.
- l. Hook up the Hot and Cold water supply hoses as marked on the Pacific Panel.
- m. Re-install the tub skirt onto the tub shell with the screws saved.



### **WARNING**

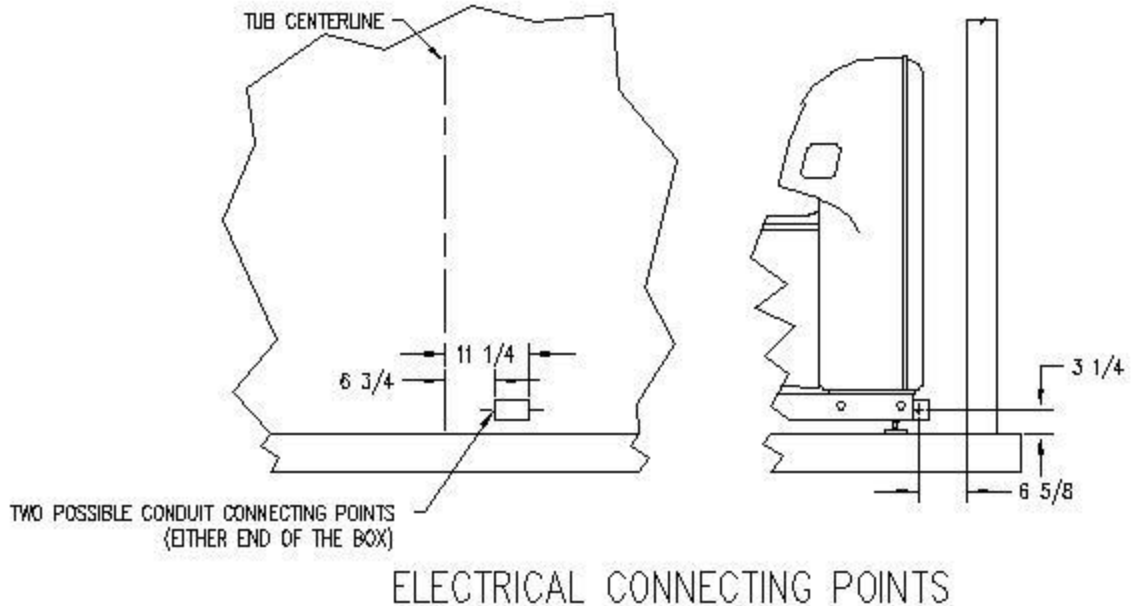
**Do not lift or maneuver the Pacific Bath Panel by lifting on the front and back Panels. Failure to avoid lifting on the fiberglass panels could cause damage to the unit and void your warranty.**

**NOTE: It is recommended that a licensed plumber make all plumbing connections. The plumber can select the best method of connection for the particular situation.**

## Electrical Requirements:

- Codes in most locations require that circuits in “Wet” locations be provided with ground fault protection.
- For the Aqua-Aire option (rated at 12 amps at 120 Volts) a 15 amp GFCI breaker will work.
- See Figure 21 for location of field wiring connection point.

Figure 21



## Electrical Connection of the Pacific Bath:

1. You may now hook up the electrical consistent with the Electrical connecting points (Figure 21).



### **WARNING**

**This unit is to be connected only by a licensed electrician.**

### Electrical Requirements

- The Aqua-Aire option of the Pacific Bath is rated at 12 amps at 120 volts. Therefore, a minimum of 15 amp GFCI circuit is required.
2. Find the facility's electrical junction box appropriate for powering the Pacific Bath. Remove the cover and check that there is no power to this circuit.
  3. Run flexible conduit and the proper size wires from the facility's junction box to either of the electrical connecting points of the tub shown in Figure 18.
  4. Connect the ground to the electrical box grounding point using a ring terminal.  
Use the provided wire nuts to connect the "line" wire to the black wire and the "neutral" wire to the white wire within the field wiring box.
  5. Replace the electrical enclosure cover. With the Pacific Bath's circuit breaker switch in the "OFF" position, turn "ON" the circuit to the Pacific Bath.



### **WARNING!**

**Do not** attempt to operate this equipment before an authorized Penner Representative inspects it and selected personnel are trained in the operation of the equipment. The use of this equipment before inspection, adjustment, and training by the Penner Representative could result in damage to the equipment or injury to the operator and resident. Please call 1-866-736-6377 or 1-800-732-0717.



For your nearest distributor, contact:

***PENNER PATIENT CARE, INC***  
***Box 523 / 102 Grant St.***  
***Aurora, NE 68818***

**1-866-PENNERS**

**1-866-736-6377**

**1-800-732-0717**

***E-mail Address: [pennersales@hamilton.net](mailto:pennersales@hamilton.net)***

***Web Site: [www.pennercareinc.com](http://www.pennercareinc.com)***