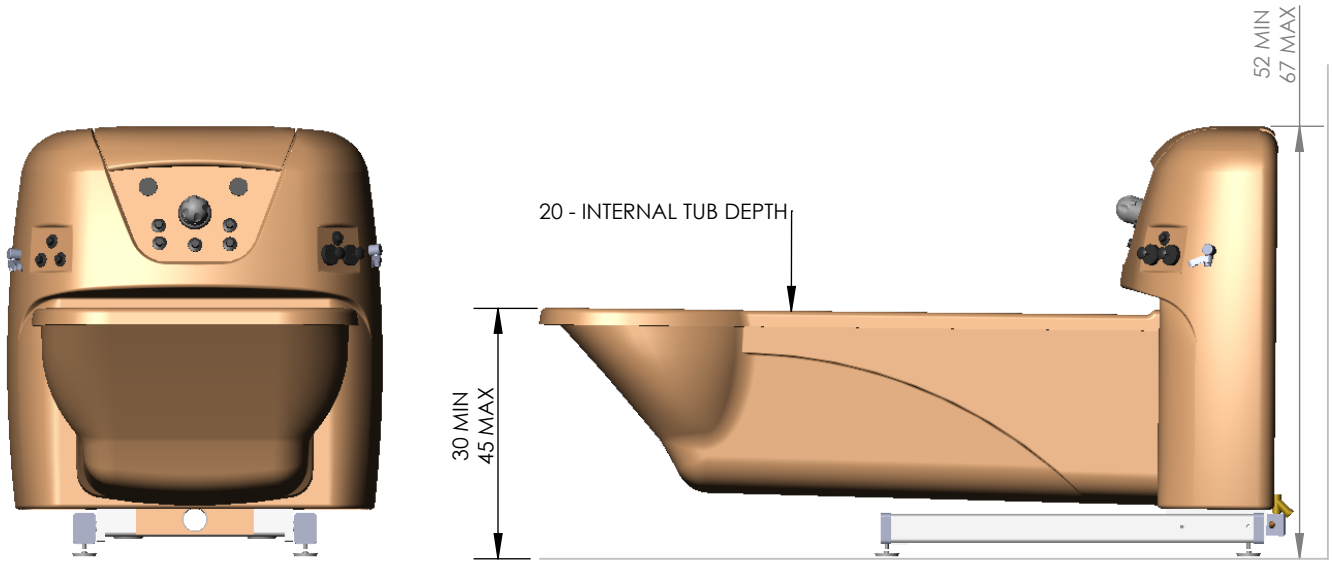
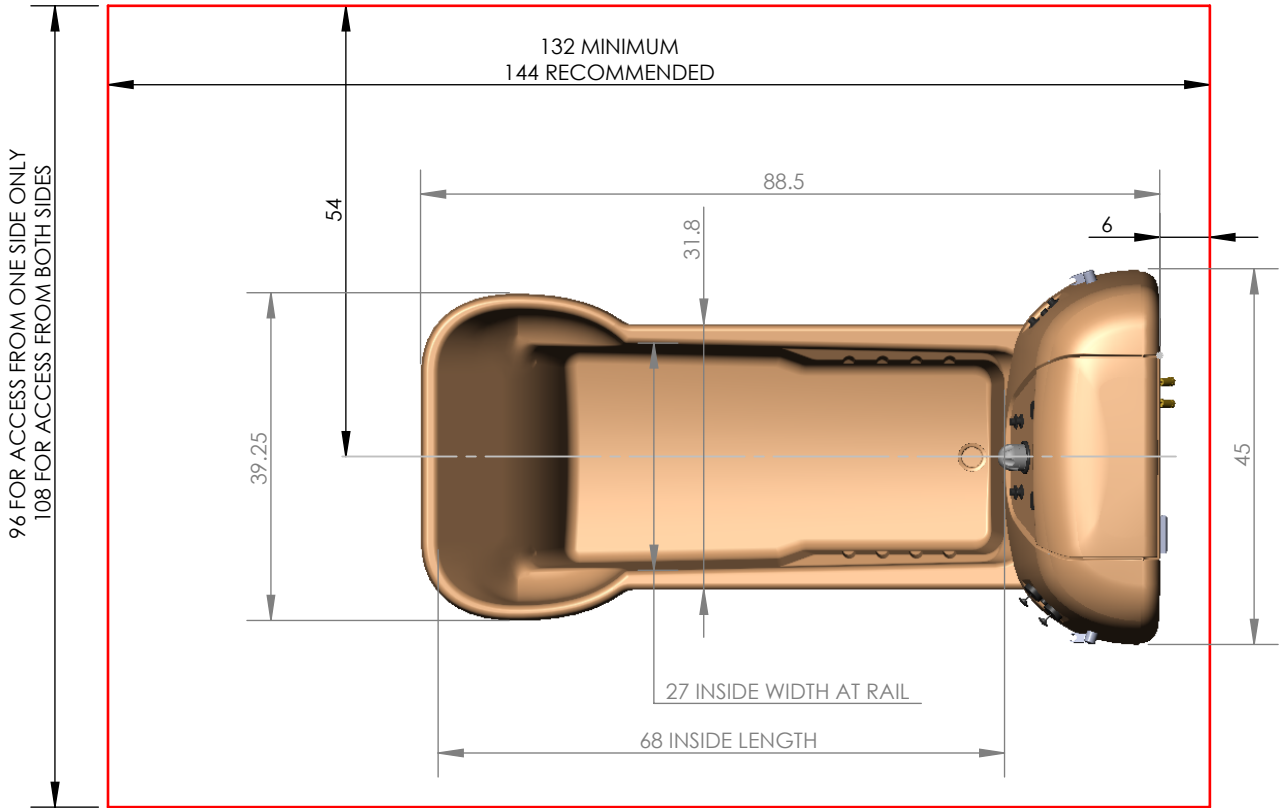


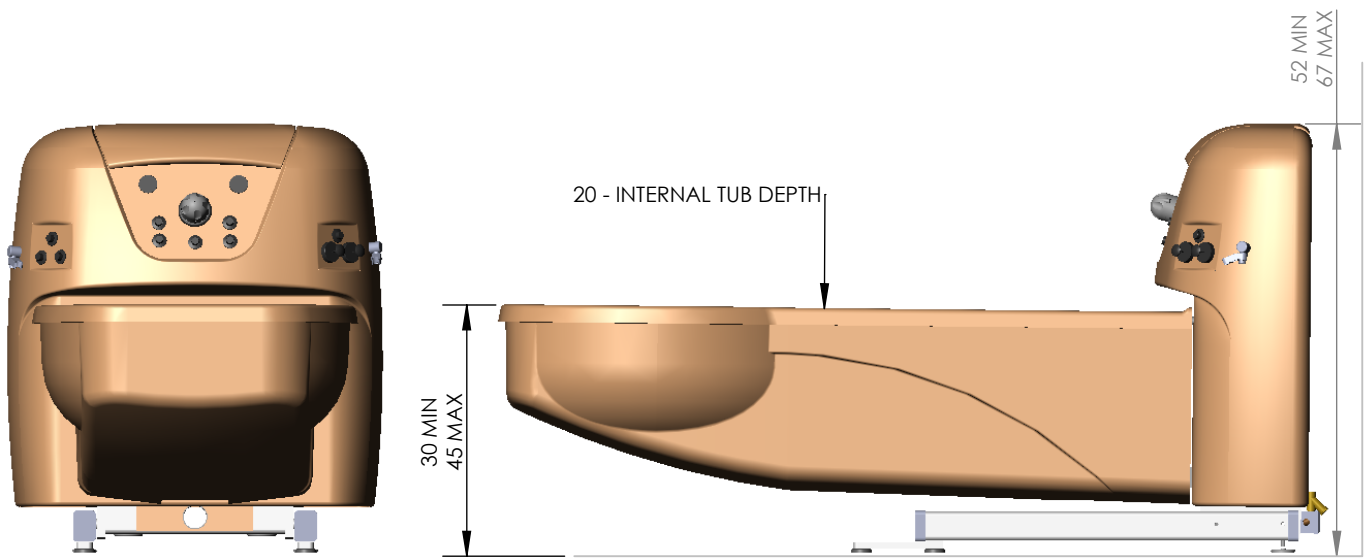
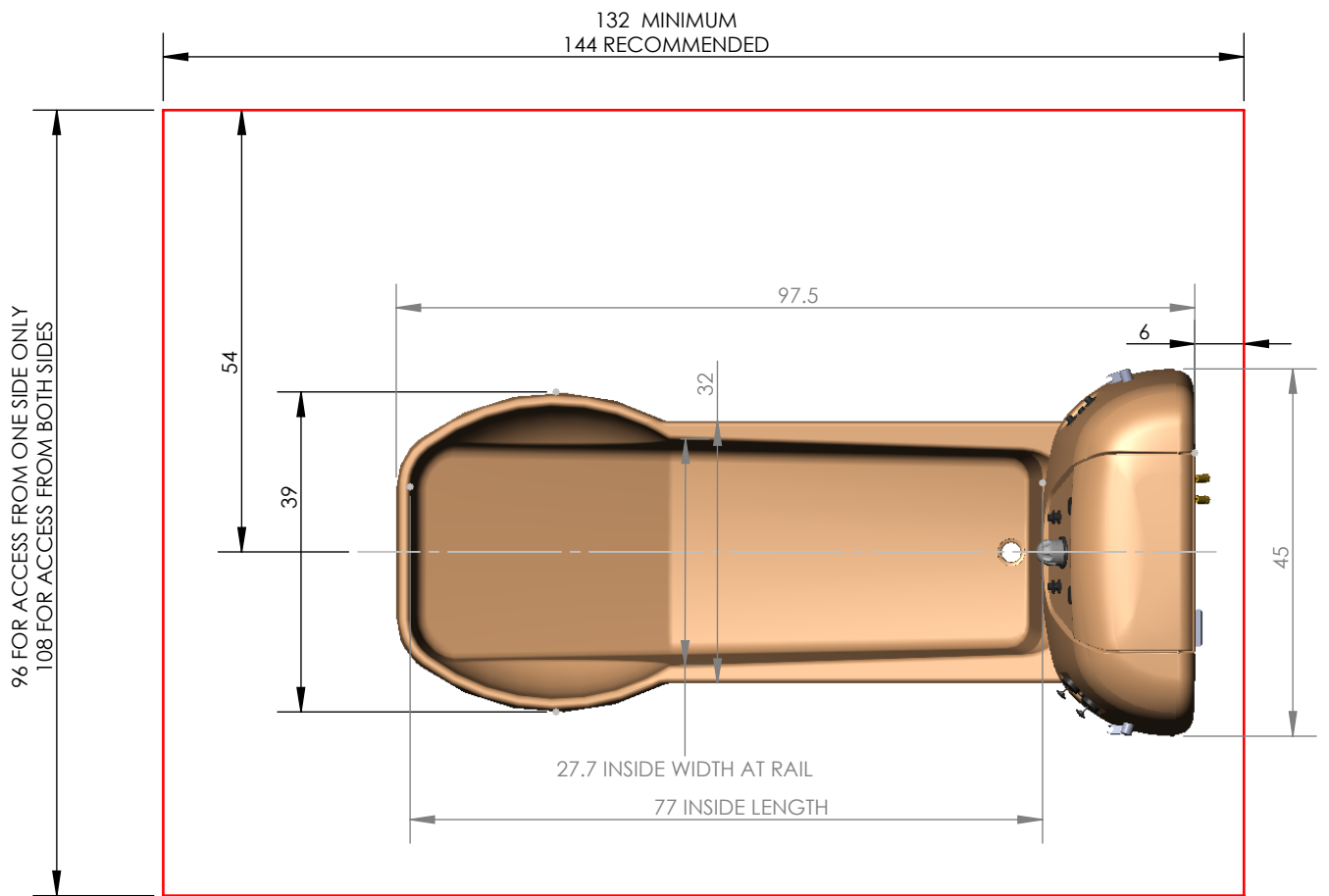
# PACIFIC SPA SHORT AND LONG

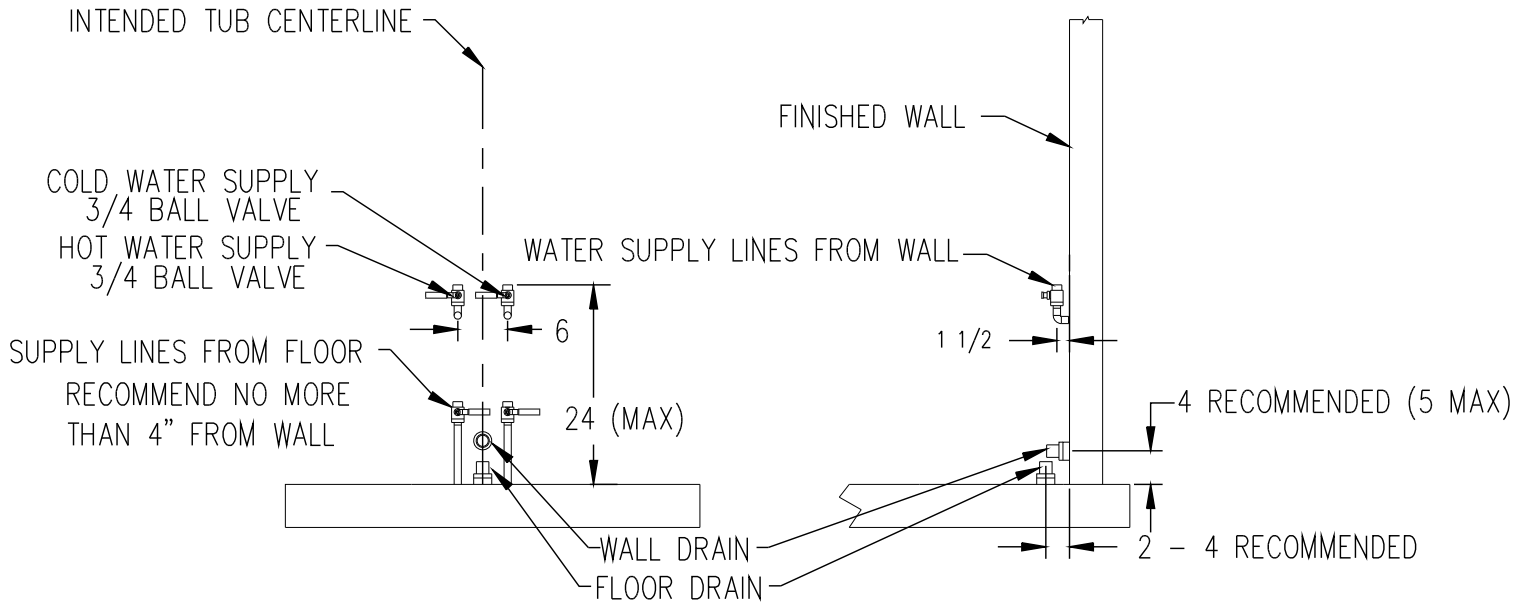


	SHOWN IN ALL VIEWS	SHOWN IN PAGE 1 VIEWS	SHOWN IN PAGE 2 VIEWS
MODEL NUMBER	390010-X	360022-X	360011-X
DESCRIPTION	PACIFIC PANEL ONLY	PACIFIC TANK ONLY - SHORT	PACIFIC TANK ONLY - LONG
WATER CAPACITY	NA	80 GALLONS	100 GALLONS
FILLED TUB WEIGHT	NA	1080 LBS	1280 LBS
TUB ONLY WEIGHT	350 LBS	80 LBS	100 LBS
SHIPPING WEIGHT	474 LBS	340LBS	340LBS

PENNER MFG INC.  
 102 GRANT ST.  
 AURORA, NE. 68818  
 402-694-5003

THE "X" IN THE MODEL NUMBER REPRESENTS A COLOR CODE



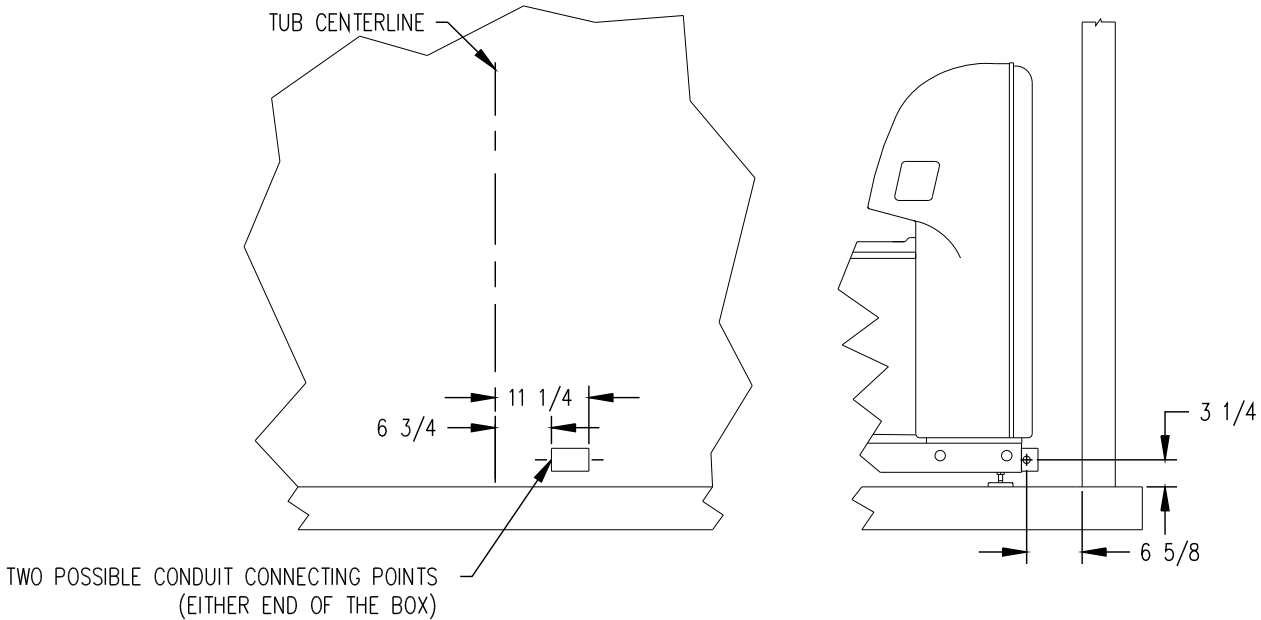


## DRAIN AND WATER SUPPLY ROUGH-IN

TUB IS EQUIPPED WITH A FLEXIBLE DRAIN TUBE WITH A CUFF THAT FITS OVER A 1 1/2" DIAMETER DRAIN PIPE. (HOSE CLAMP FOR CUFF IS SUPPLIED)

DRAIN REQUIREMENT:

MINIMUM OF 1 1/2" (NOMINAL) PVC TUBE WITH SLIP ADAPTER FOR 1 1/2" DIAMETER EXTENSION TUBE. THE EXTENSION TUBE TO BE EXPOSED AT MINIMUM 1 1/2" FOR CUFF ATTACHMENT.



## ELECTRICAL CONNECTING POINTS

ELECTRICAL CONDUIT CONNECTING POINTS

IT IS RECOMMENDED THAT THE TUB BE CONNECTED VIA FLEXIBLE CONDUIT TO ALLOW FOR SOME MOVEMENT OF THE TUB FOR SERVICE.