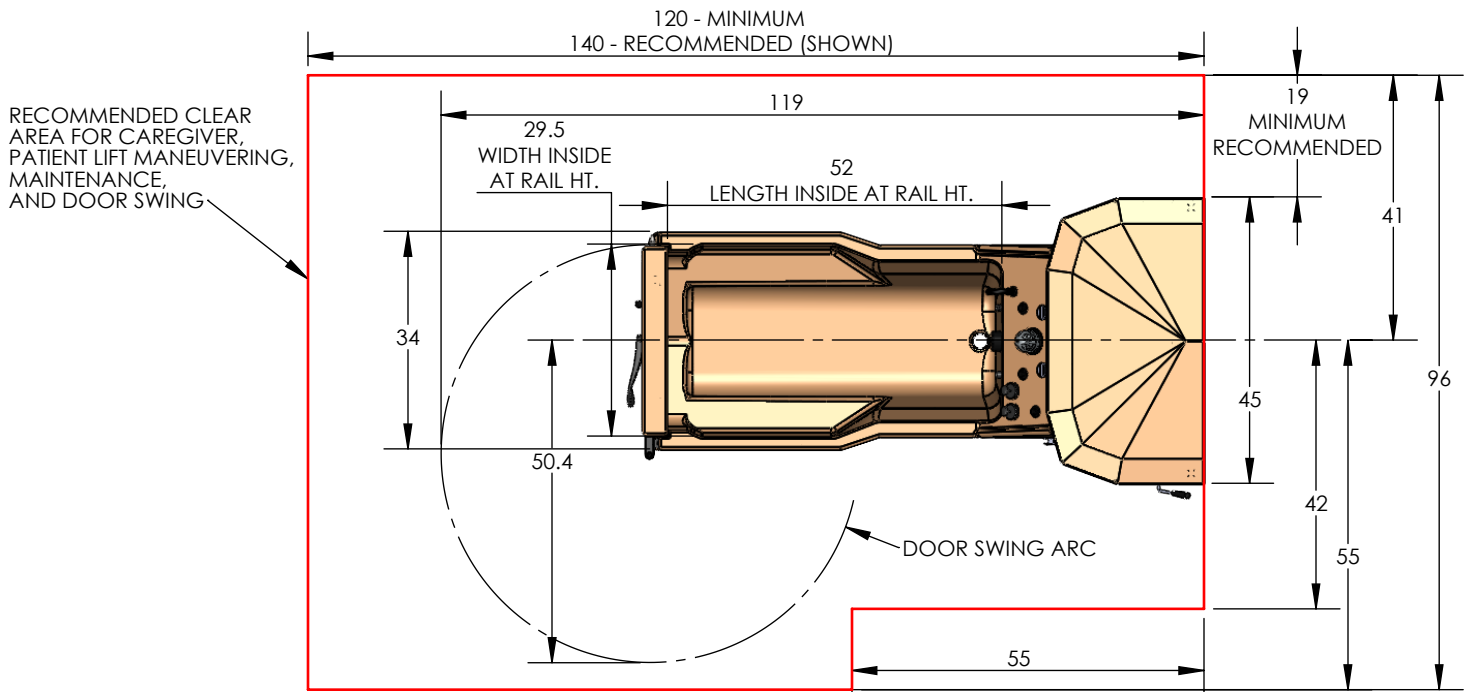
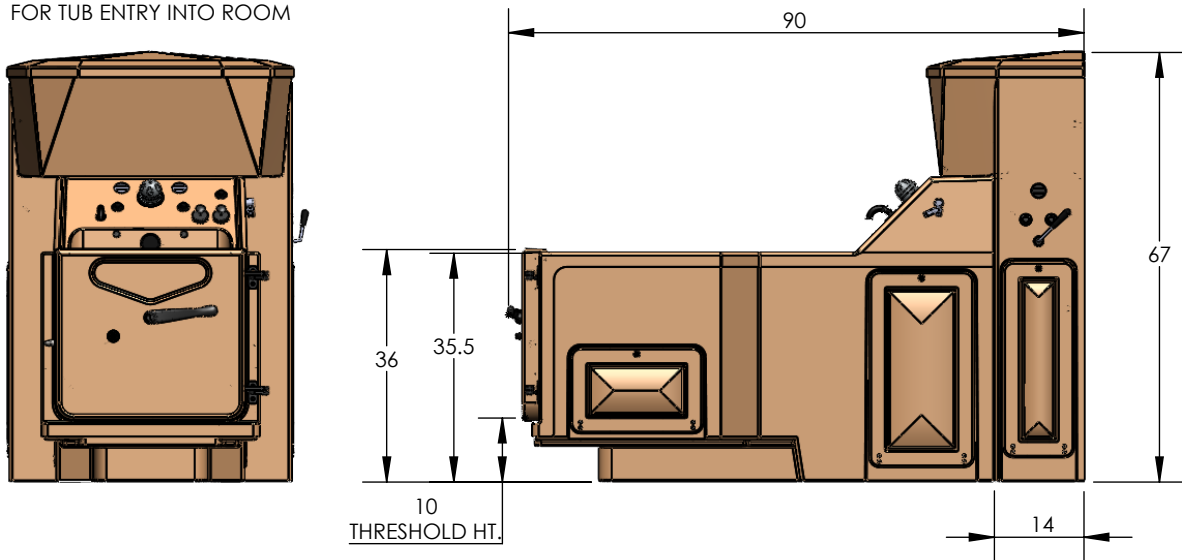


CASCADE RIGHT HINGE END WITH RESERVOIR MOBILE TRANSFER



35 1/2 INCH DOOR OPENING REQUIRED FOR TUB ENTRY INTO ROOM



TUB ONLY	RIGHT HAND
MODEL NUMBER	362010-X
DESCRIPTION	CASCADE RIGHT HINGE END
WATER CAPACITY	100 GALLONS
FILLED TUB WEIGHT	1190 LBS
EMPTY WEIGHT	360 LBS
SHIPPING WEIGHT	500 LBS

RESERVOIR ONLY	RIGHT HAND
MODEL NUMBER	370010-XW
DESCRIPTION	RESERVOIR - WIDE RIGHT HAND
WATER CAPACITY	55 GALLONS
EMPTY WEIGHT	150LBS
FILLED WEIGHT	608 LBS
SHIPPING WEIGHT	265 LBS

PENNER MFG INC.
102 GRANT ST.
AURORA, NE. 68818
402-694-5003

THE "X" IN THE MODEL NUMBERS REPRESENTS A COLOR CODE

9/22/2020