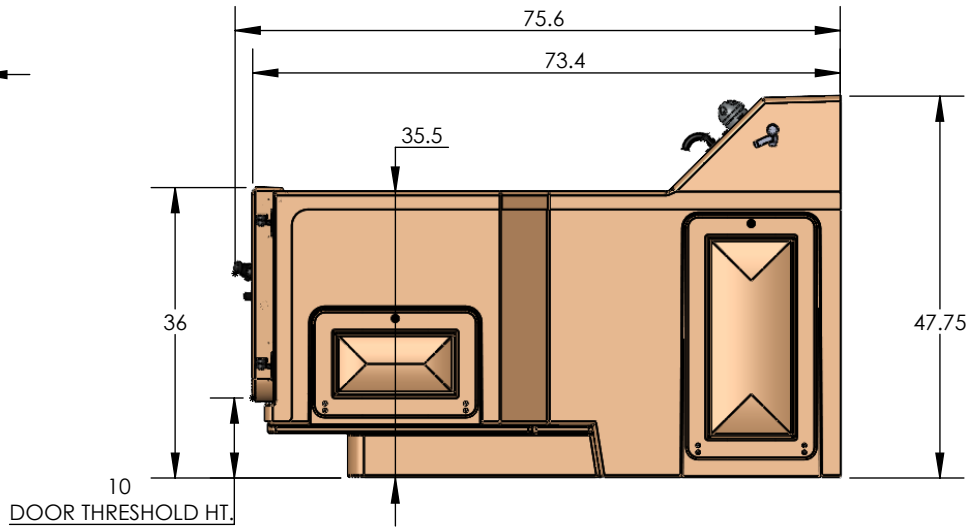
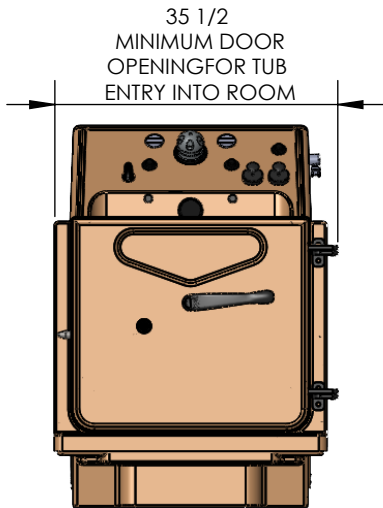
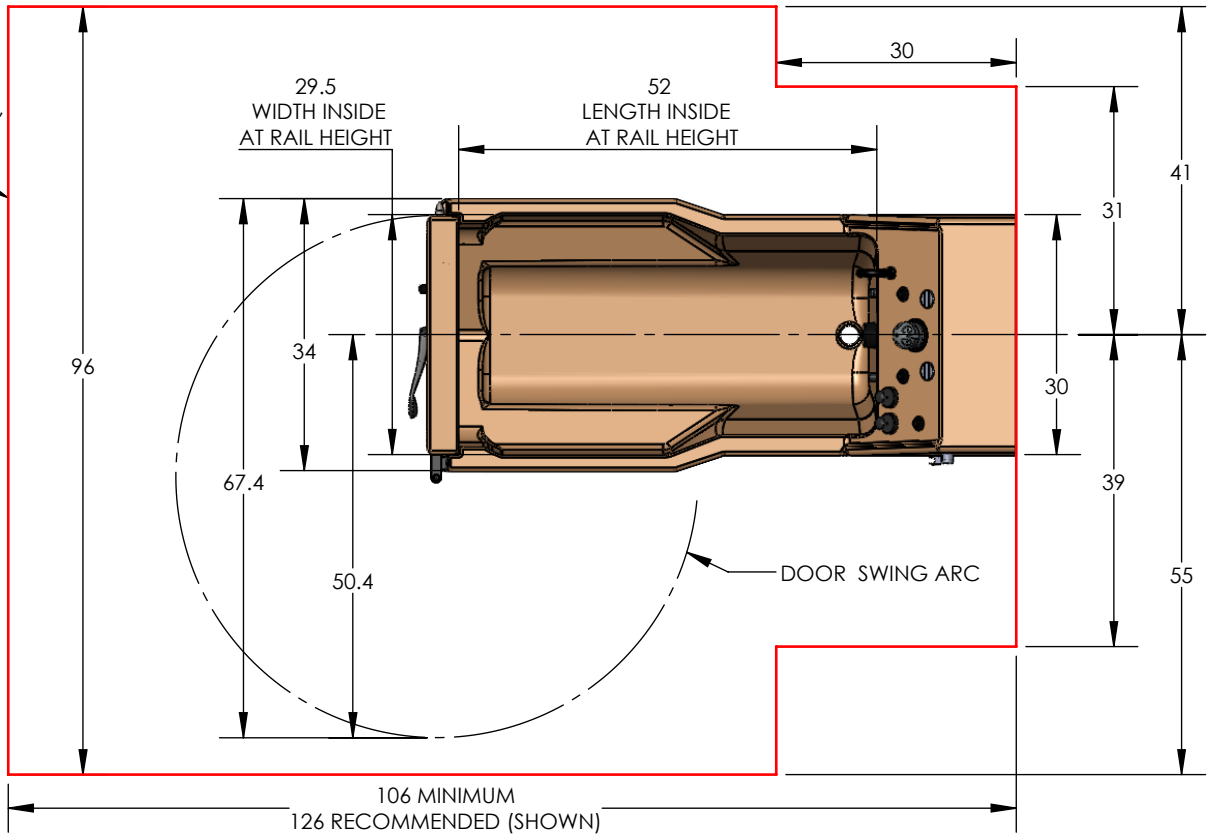


CASCADE RIGHT HINGE END MOBILE TRANSFER

RECOMMENDED CLEAR AREA FOR CAREGIVER, PATIENT LIFT MANEUVERING, MAINTENANCE, AND DOOR SWING



PENNER MFG INC.
102 GRANT ST.
AURORA, NE. 68818
402-694-5003

MODEL NUMBER	362010-X
DESCRIPTION	CASCADE RIGHT HINGE END
WATER CAPACITY	100 GALLONS
FILLED TUB WEIGHT	1190 LBS
TUB ONLY WEIGHT	360 LBS
SHIPPING WEIGHT	500 LBS

THE "X" IN THE MODEL NUMBER REPRESENTS A COLOR CODE

9/22/2020